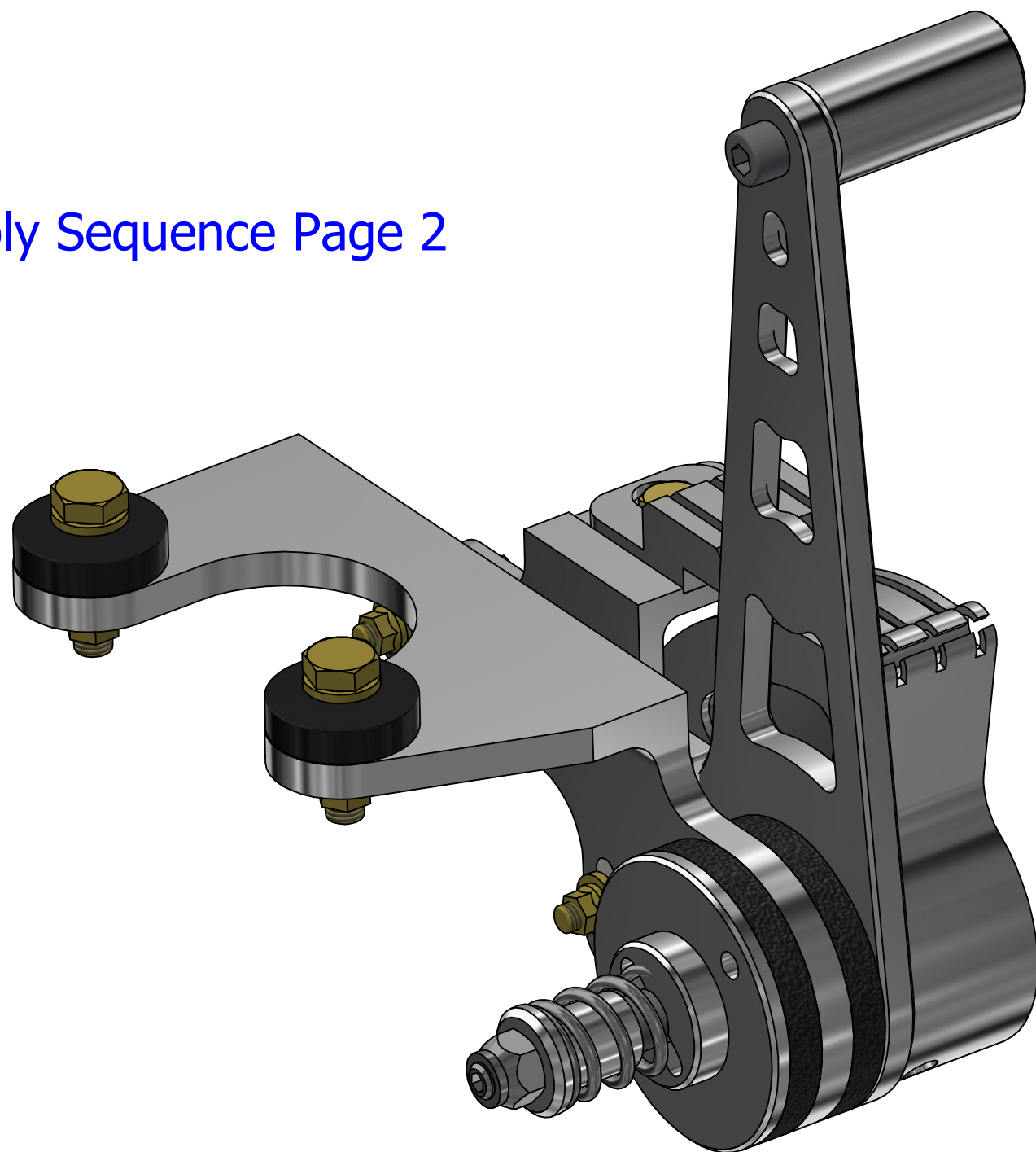


Assembly Sequence Page 2



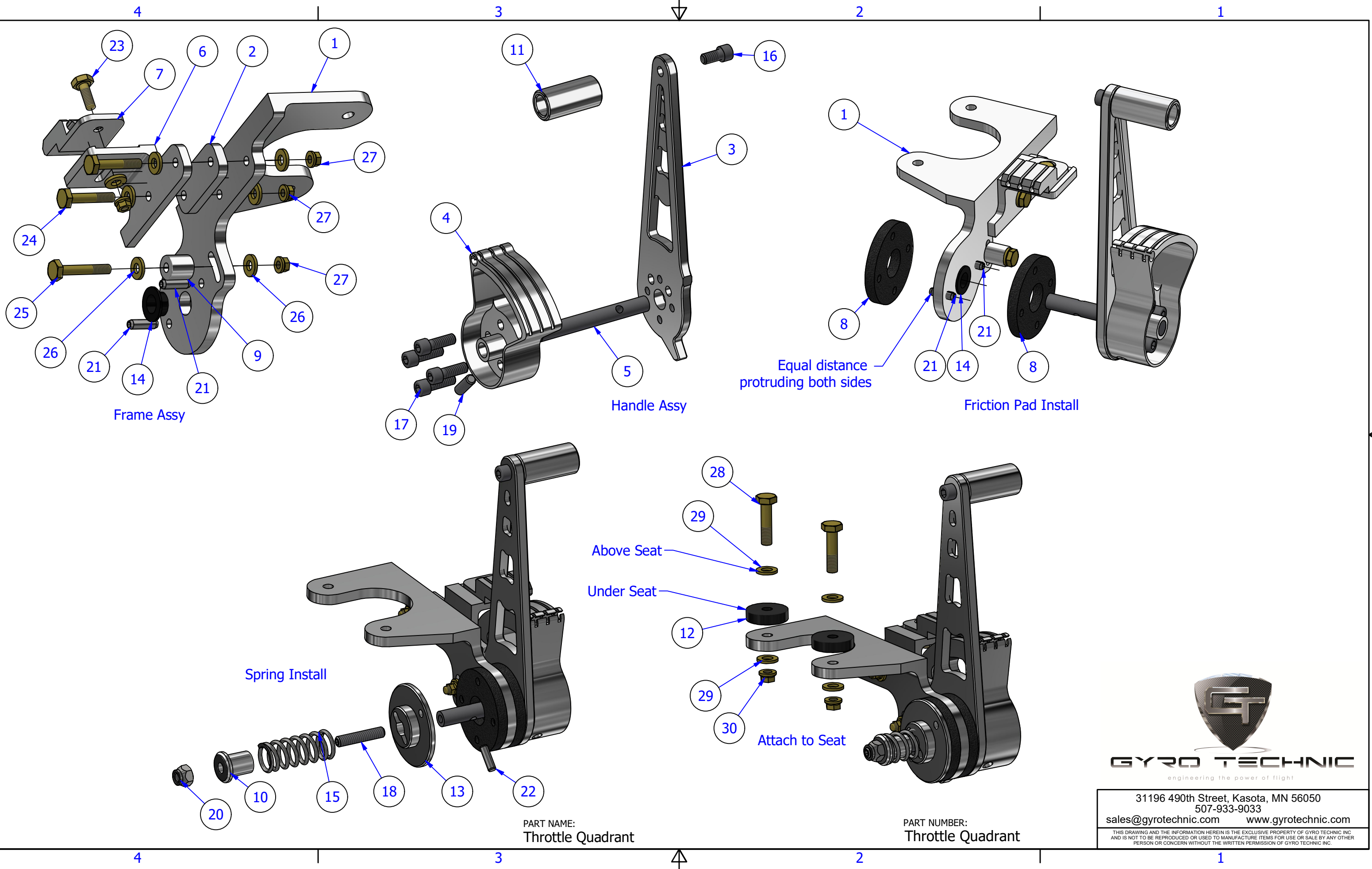
PARTS LIST			
ITEM	QTY	PART NUMBER	DESCRIPTION
1	1	7000-8440	Throttle Angle_Bing
2	1	7000-8450	Mount Angle Spacer
3	1	7000-9720	Quadrant Lever
4	1	7000-9810	Cam Plate_Quadrant A
5	1	7000-10560	Quadrant Shaft
6	1	7100-8090	Mount Angle_Throttle Block
7	1	7000-9200	Throttle Cable Adj Block
8	2	7000-10600	Throttle Friction Disk_Pin Drive
9	1	7100-9320	Throttle Stop Lug B
10	1	7000-9210	Spring Sleeve_Quadrant
11	1	7000-8400	Barrel Handle A
12	2	7000-9800	Quadrant Seat Spacer
13	1	7000-9230	Friction Disk Plate
14	1	GFI-0607-04	.375" x .469" x .250" OAL
15	1	9657K377	Compression Spring
16	1	1/4 - 20 x 1/2	Hexagon Socket Head Cap Screw
17	4	1/4 - 20 x 3/4	Hexagon Socket Head Cap Screw
18	1	1/4-20 x 1.25	Socket Set Screw - Flat Point
19	1	1/4-20 x 0.75	Socket Set Screw - Flat Point
20	1	1/4 - 20	Nylock Hex Nut
21	2	3/16 x 5/8	Pin - Slotted Spring
22	1	90145A507	3/16" x 5/8" SS Dowel Pin
23	1	AN3-4A	10-32 x 1/2"
24	2	AN3-10A	10-32 x 1"
25	1	AN3-11A	10-32 x 1 1/8"
26	7	AN960-10	#10 Flat Washer x .062"
27	4	MS21042-3	10-32 Stop Nut
28	2	AN4-10A	1/4"-28 x 1"
29	4	AN960-416	1/4" Flat Washer x .062"
30	2	MS21042-4	1/4"-28 Stop Nut

PART NAME:
Throttle Quadrant

PART NUMBER:
Throttle Quadrant



31196 490th Street, Kasota, MN 56050
507-933-9033
sales@gyrotech.com www.gyrotech.com
THIS DRAWING AND THE INFORMATION HEREIN IS THE EXCLUSIVE PROPERTY OF GYRO TECHNIC INC AND IS NOT TO BE REPRODUCED OR USED TO MANUFACTURE ITEMS FOR USE OR SALE BY ANY OTHER PERSON OR CONCERN WITHOUT THE WRITTEN PERMISSION OF GYRO TECHNIC INC.



Frame Assy

Handle Assy

Friction Pad Install

Spring Install

Above Seat

Under Seat

Attach to Seat

PART NAME:
Throttle Quadrant

PART NUMBER:
Throttle Quadrant



GYRO TECHNIC
engineering the power of flight

31196 490th Street, Kasota, MN 56050
507-933-9033
sales@gyrotechinc.com www.gyrotechinc.com

THIS DRAWING AND THE INFORMATION HEREIN IS THE EXCLUSIVE PROPERTY OF GYRO TECHNIC INC AND IS NOT TO BE REPRODUCED OR USED TO MANUFACTURE ITEMS FOR USE OR SALE BY ANY OTHER PERSON OR CONCERN WITHOUT THE WRITTEN PERMISSION OF GYRO TECHNIC INC.