

4

3

2

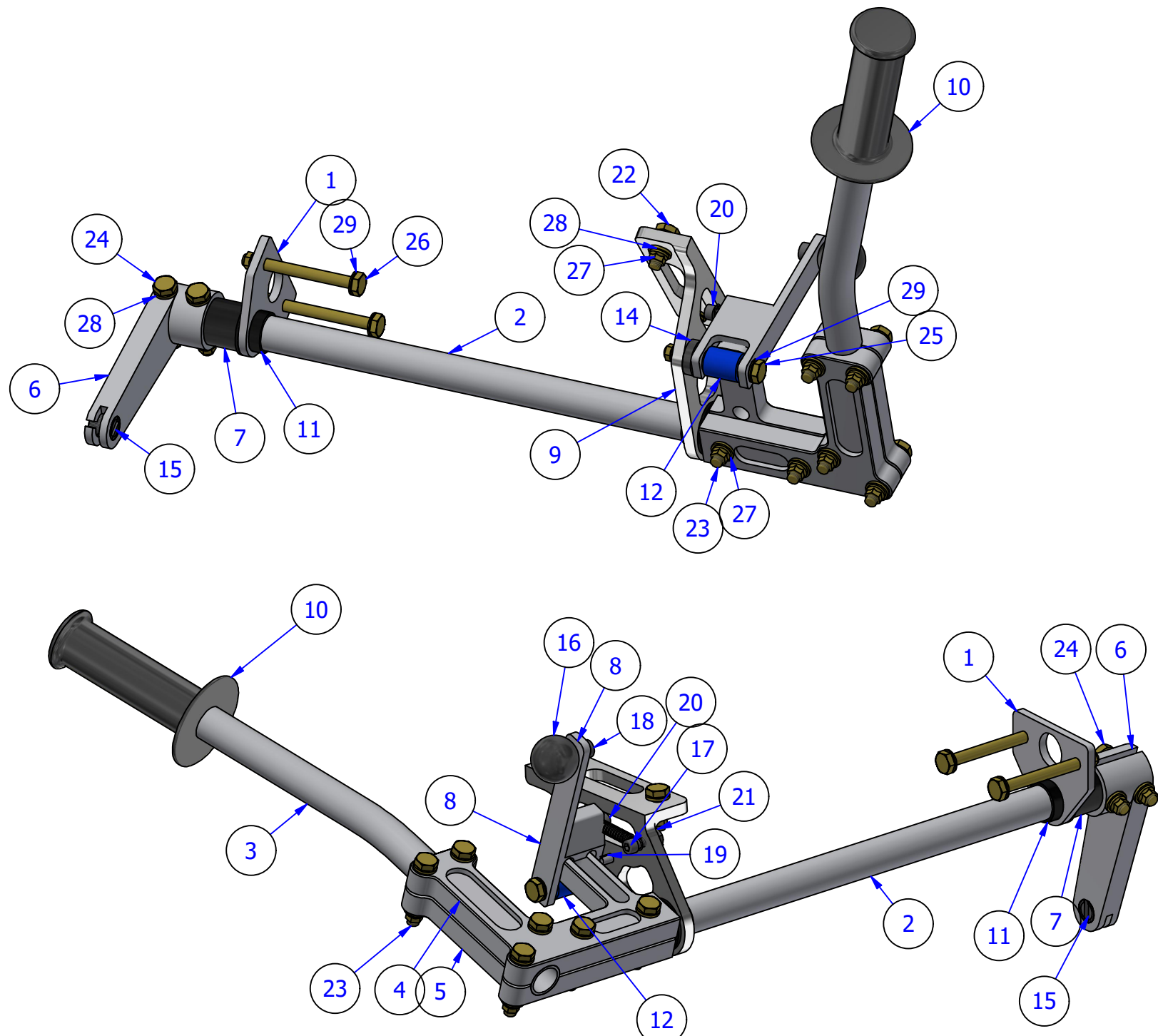
1

PARTS LIST

PARTS LIST

ITEM	QTY	PART NUMBER	DESCRIPTION
27	13	MS21042-4	1/4"-28 Stop Nut
28	20	AN960-416	1/4" Flat Washer x .062"
29	6	AN960-416L	1/4" Flat Washer x .031"
39	1	7100-9560	Cable Barrel Adaptor_Slit

ITEM	QTY	PART NUMBER	DESCRIPTION
1	1	7100-4880	PR Seat Frame Mount Plate
2	1	7100-4870	Collective Pivot Tube
3	1	7100-6950	Collective Tube_Quadrant
4	1	7100-4830	Collective Knuckle Top Plate
5	1	7100-4840	Collective Knuckle Bottom Plate
6	1	7100-4810	PR_Cable Pull Arm
7	1	7100-4800	PR Spacer A
8	1	7100-4790	PR Safety Catch
9	1	7100-9090	Mount Angle_Collective
10	1	750 Grip	750 Grip
11	2	GFI-1214-08	.750" x .875" x .500" OAL
12	1	7100-4820	Vinyl Cushion_PR
13	1	7100-4850	Pivot_Stop Sleeve
14	1	7100-5270	Safety Catch Spacer
15	1	7100-6150	PR Cable Attachment Barrel
16	1	61095K320	1/4"-20 BLACK POLY BALL KNOB
17	1	9654K126	1.5" x .312" x .036" - PR Lock Spring
18	1	1/4 - 20 UNC - 1/2 SHCS	Hexagon Socket Head Cap Screw
19	1	92373A245	Spring Pin 3/16 x 1/2
20	2	10 - 24 UNC - 5/8 SHCS	Hexagon Socket Head Cap Screw
21	1	10 - 24	Hex Machine Screw Nut
22	2	AN4-6A	1/4"-28 x 3/4"
23	6	AN4-14A	1/4"-28 x 1 1/2"
24	2	AN4-15A	1/4"-28 x 1 5/8"
25	1	AN4-20A	1/4"-28 x 2"
26	2	AN4-24A	1/4"-28 x 2 1/2"



PART NAME:
PR Engagement

PART NUMBER:
PR Engagement



GYRO TECHNIC
engineering the power of flight

31196 490th Street, Kasota, MN 56050
 507-243-3991
 sales@gyrotech.com www.gyrotech.com

THIS DRAWING AND THE INFORMATION HEREIN IS THE EXCLUSIVE PROPERTY OF GYRO TECHNIC INC AND IS NOT TO BE REPRODUCED OR USED TO MANUFACTURE ITEMS FOR USE OR SALE BY ANY OTHER PERSON OR CONCERN WITHOUT THE WRITTEN PERMISSION OF GYRO TECHNIC INC.

4

3

2

1