

4

3

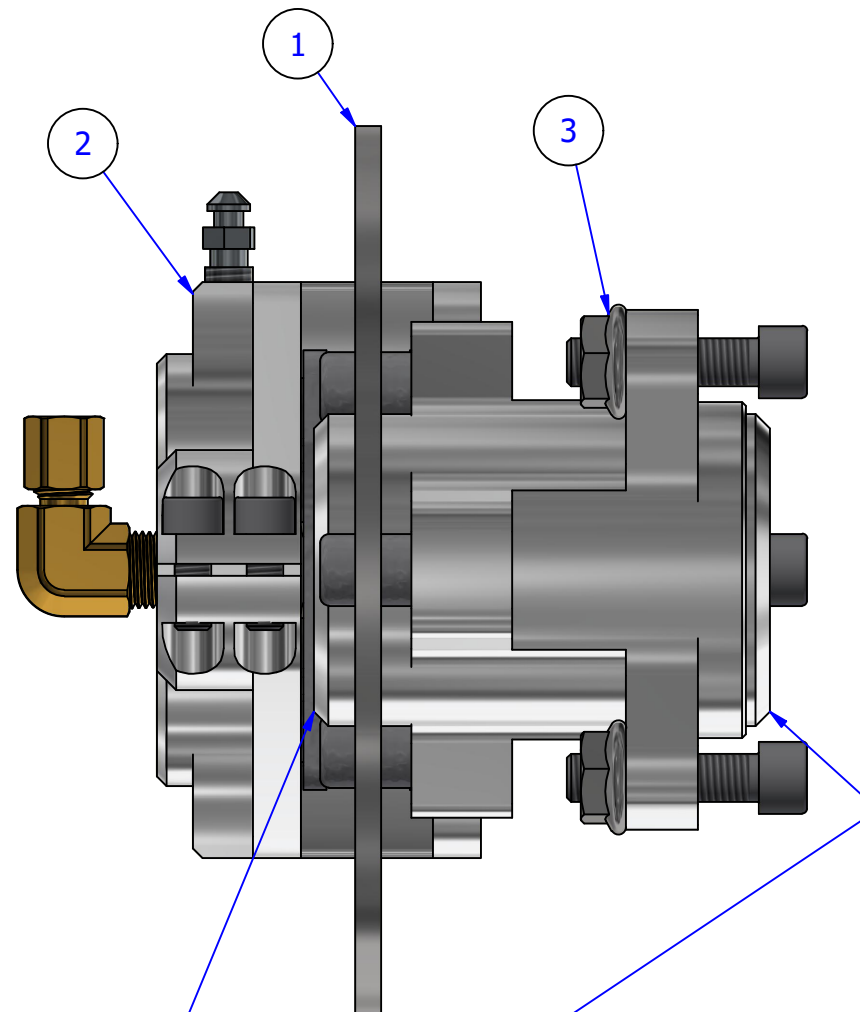
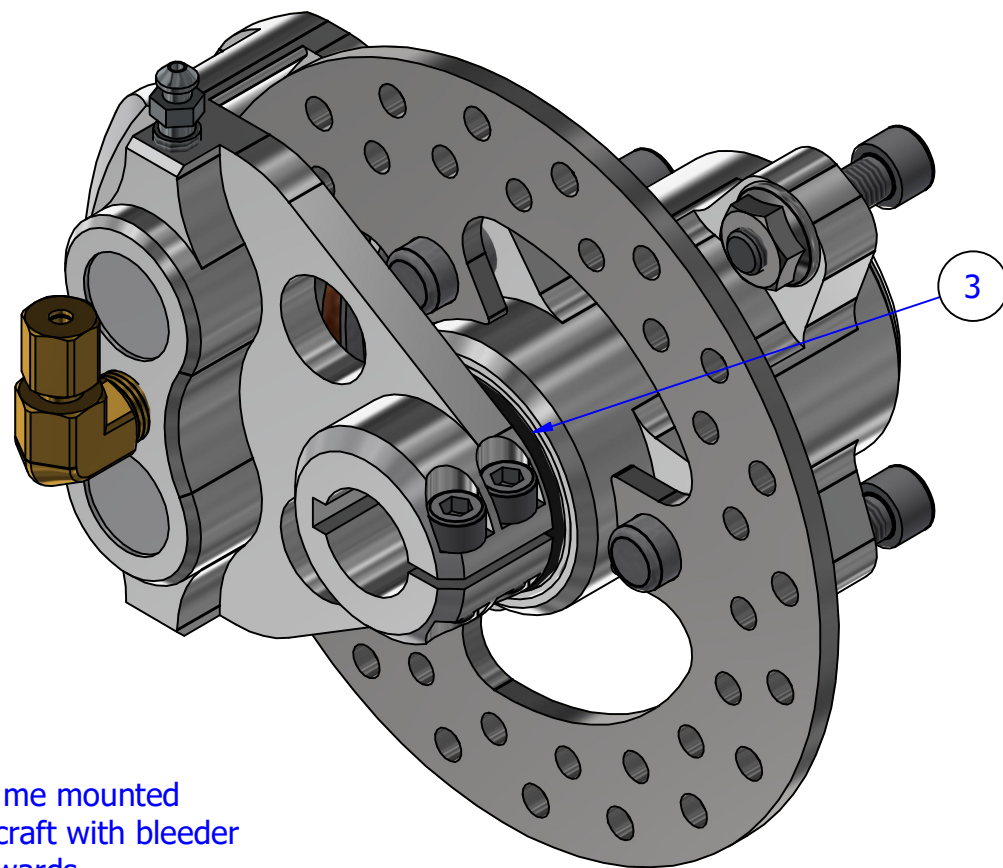
2

1

PARTS LIST

ITEM	QTY	PART NUMBER	DESCRIPTION
1	1	7000-0390	5.00 x .125 Brake Disk
2	1	Caliper Assy_B	Caliper Assy _ 6 inch
3	1	Wheel Hub Assy	
4	1	6 x 6 x 2 Offset	Spun Aluminum Wheel
5	1	Carlisle 15 x 6.00-6NHS	Carlisle 15 x 6.00-6NHS

**Wheel and tire not shown for clarity



Brake caliper to be mounted to FRONT of aircraft with bleeder screw facing upwards.

Right and left caliper configurations provided.

5/8" washer to be installed on each side of hub assembly.

Washers provided in "Landing gear assembly"

PART NAME:
Wheel Group

PART NUMBER:
Wheel Group



GYRO TECHNIC
engineering the power of flight

31196 490th Street, Kasota, MN 56050
507-243-3991
sales@gyrotechinc.com www.gyrotechinc.com

THIS DRAWING AND THE INFORMATION HEREIN IS THE EXCLUSIVE PROPERTY OF GYRO TECHNIC INC AND IS NOT TO BE REPRODUCED OR USED TO MANUFACTURE ITEMS FOR USE OR SALE BY ANY OTHER PERSON OR CONCERN WITHOUT THE WRITTEN PERMISSION OF GYRO TECHNIC INC.

4

3

2

1