

4

3

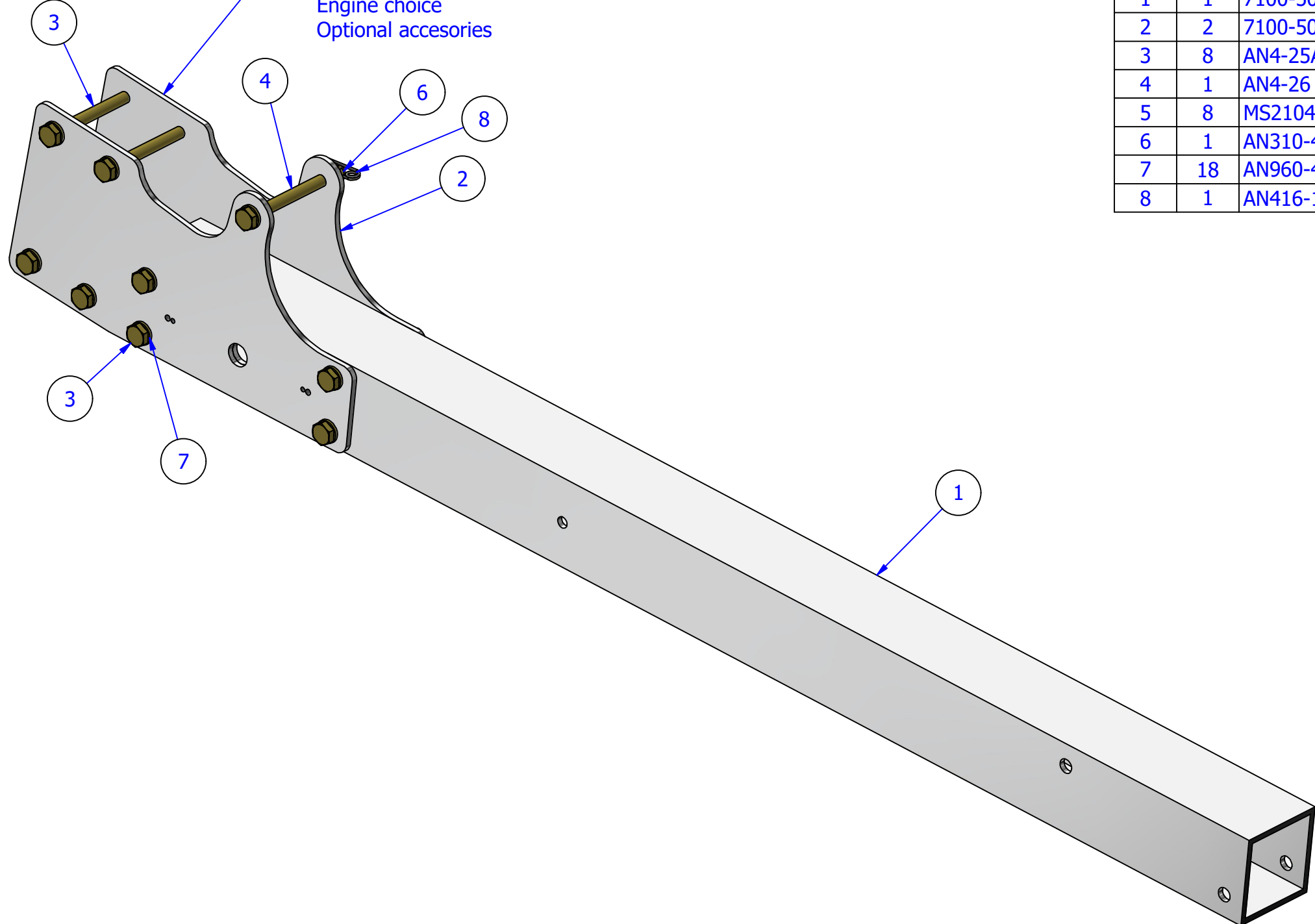
2

1

PARTS LIST

ITEM	QTY	PART NUMBER	DESCRIPTION
1	1	7100-5050	Mast Tube_Upper
2	2	7100-5040	Cheek Plate_A ***Verify Offset**
3	8	AN4-25A	1/4"-28 x 2 5/8"
4	1	AN4-26	1/4"-28 x 2 3/4"
5	8	MS21042-4	1/4"-28 Stop Nut
6	1	AN310-4	1/4"-28 Castle Nut
7	18	AN960-416	1/4" Flat Washer x .062"
8	1	AN416-1	.051" Wire Dia Safety Pin x 1 1/16"

Cheek Plate offset may vary due to:
 Pilot weight
 Engine choice
 Optional accessories



B

B

A

A

PART NAME:
 Upper Mast

PART NUMBER:
 Upper Mast Assy



GYRO TECHNIC
 engineering the power of flight

31196 490th Street, Kasota, MN 56050
 507-243-3991
 sales@gyrotechnic.com www.gyrotechnic.com

THIS DRAWING AND THE INFORMATION HEREIN IS THE EXCLUSIVE PROPERTY OF GYRO TECHNIC INC AND IS NOT TO BE REPRODUCED OR USED TO MANUFACTURE ITEMS FOR USE OR SALE BY ANY OTHER PERSON OR CONCERN WITHOUT THE WRITTEN PERMISSION OF GYRO TECHNIC INC.

4

3

2

1