

4

3

2

1

| PARTS LIST |     |                |                          |
|------------|-----|----------------|--------------------------|
| ITEM       | QTY | PART NUMBER    | DESCRIPTION              |
| 23         | 1   | 1/4-20 x 1     | Set Screw                |
| 24         | 4   | 1/4 - 20 x 3/4 | SHCS                     |
| 25         | 1   | AN3-7A         | 10-32 x 7/8"             |
| 26         | 1   | AN3-4A         | 10-32 x 1/2"             |
| 27         | 2   | AN3-6A         | 10-32 x 3/4"             |
| 28         | 2   | AN3-22A        | 10-32 x 2 1/4"           |
| 29         | 2   | AN4-13A        | 1/4"-28 x 1 3/8"         |
| 30         | 2   | AN4-15A        | 1/4"-28 x 1 5/8"         |
| 31         | 6   | MS21042-3      | 10-32 Stop Nut           |
| 32         | 4   | MS21042-4      | 1/4"-28 Stop Nut         |
| 33         | 13  | AN960-10       | #10 Flat Washer x .062"  |
| 34         | 8   | AN960-416      | 1/4" Flat Washer x .062" |
| 35         | 1   | 1/8 x 1        | Pin - Slotted Spring     |

| PARTS LIST |     |                |                            |
|------------|-----|----------------|----------------------------|
| ITEM       | QTY | PART NUMBER    | DESCRIPTION                |
| 12         | 1   | 7100-6520      | Star Spacer_Quadrant B     |
| 13         | 1   | 7100-7880      | Throttle Angle             |
| 14         | 2   | 7100-6550      | Quadrant Seat Spacer       |
| 15         | 2   | 7100-7920      | Stand Off_Throttle         |
| 16         | 1   | 7100-8070      | Cam Plate_Quadrant A       |
| 17         | 1   | 7100-8000      | Throttle Stop Lug          |
| 18         | 2   | 9657K305       | Compression Spring         |
| 19         | 1   | 61095K320      | 1/4"-20 BLACK POLY KNOB    |
| 20         | 2   | GFI-0607-05    | .375" x .469" x .3125" OAL |
| 21         | 1   | 1/4 - 20 - 1/2 | SHCS                       |
| 22         | 1   | 10 - 24 - 3/8  | SHCS                       |

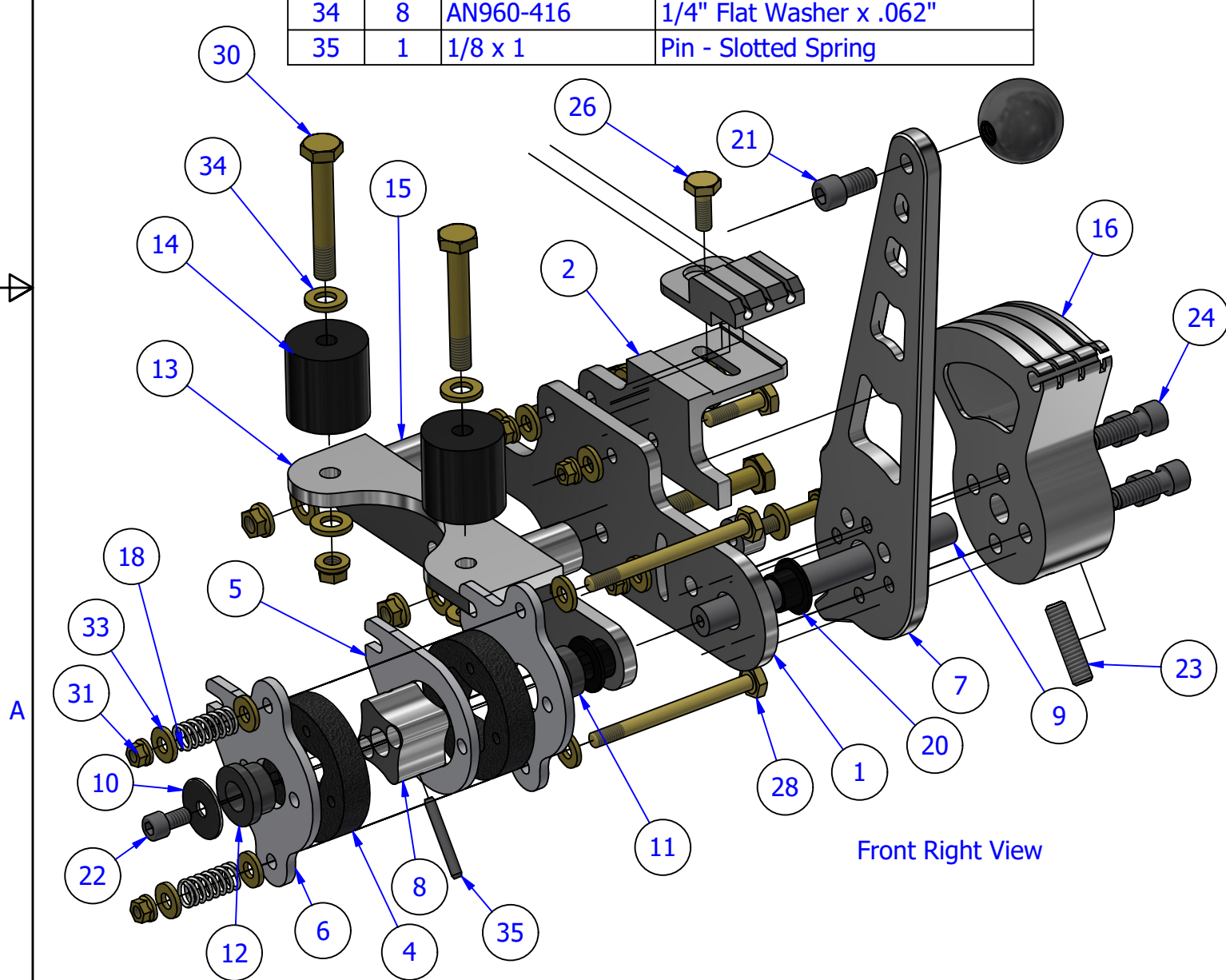
| PARTS LIST |     |             |                                   |
|------------|-----|-------------|-----------------------------------|
| ITEM       | QTY | PART NUMBER | DESCRIPTION                       |
| 1          | 1   | 7100-8080   | Throttle Plate_Front              |
| 2          | 1   | 7100-8090   | Mount Angle_Throttle Block        |
| 3          | 1   | 7100-7860   | Throttle Cable Adj Block          |
| 4          | 2   | 7100-2400   | Throttle Friction Disk_Star Drive |
| 5          | 1   | 7100-2410   | Throttle Friction Plate_Center    |
| 6          | 2   | 7100-2390   | Throttle Friction Plate_End       |
| 7          | 1   | 7100-6420   | Quadrant Lever                    |
| 8          | 1   | 7100-9170   | Drive Star_Throttle Friction      |
| 9          | 1   | 7100-6470   | Quadrant Shaft                    |
| 10         | 1   | 90313A400   | Retaining Washer_Quadrant         |
| 11         | 1   | 7100-6540   | Star Spacer_Quadrant A            |

B

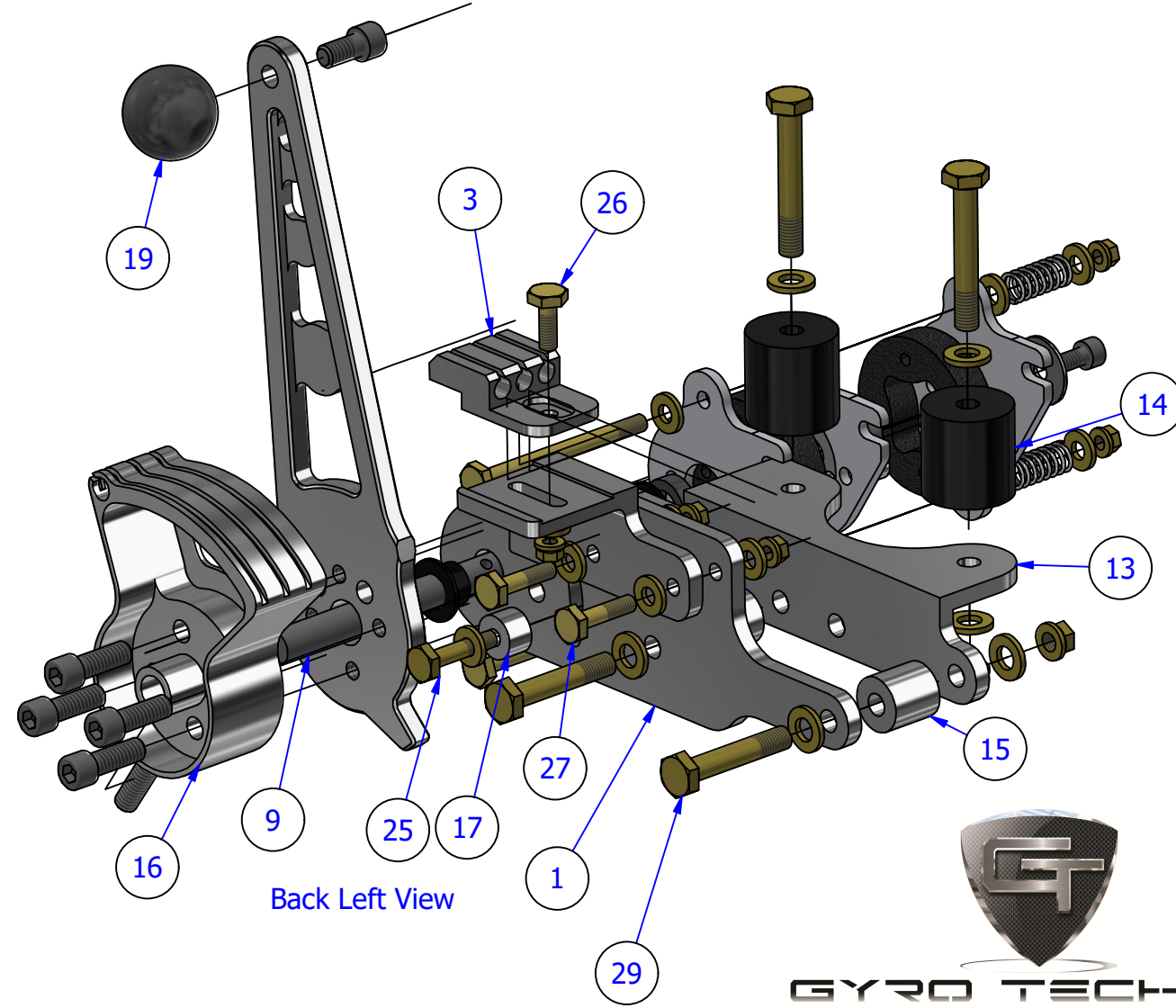
B

A

A



Front Right View



Back Left View

PART NAME:  
Throttle Quadrant

PART NUMBER:  
Throttle Quadrant\_Bing



31196 490th Street, Kasota, MN 56050  
 507-243-3991  
 sales@gyrotechinc.com www.gyrotechinc.com  
THIS DRAWING AND THE INFORMATION HEREIN IS THE EXCLUSIVE PROPERTY OF GYRO TECHNIC INC AND IS NOT TO BE REPRODUCED OR USED TO MANUFACTURE ITEMS FOR USE OR SALE BY ANY OTHER PERSON OR CONCERN WITHOUT THE WRITTEN PERMISSION OF GYRO TECHNIC INC.

4

3

2

1