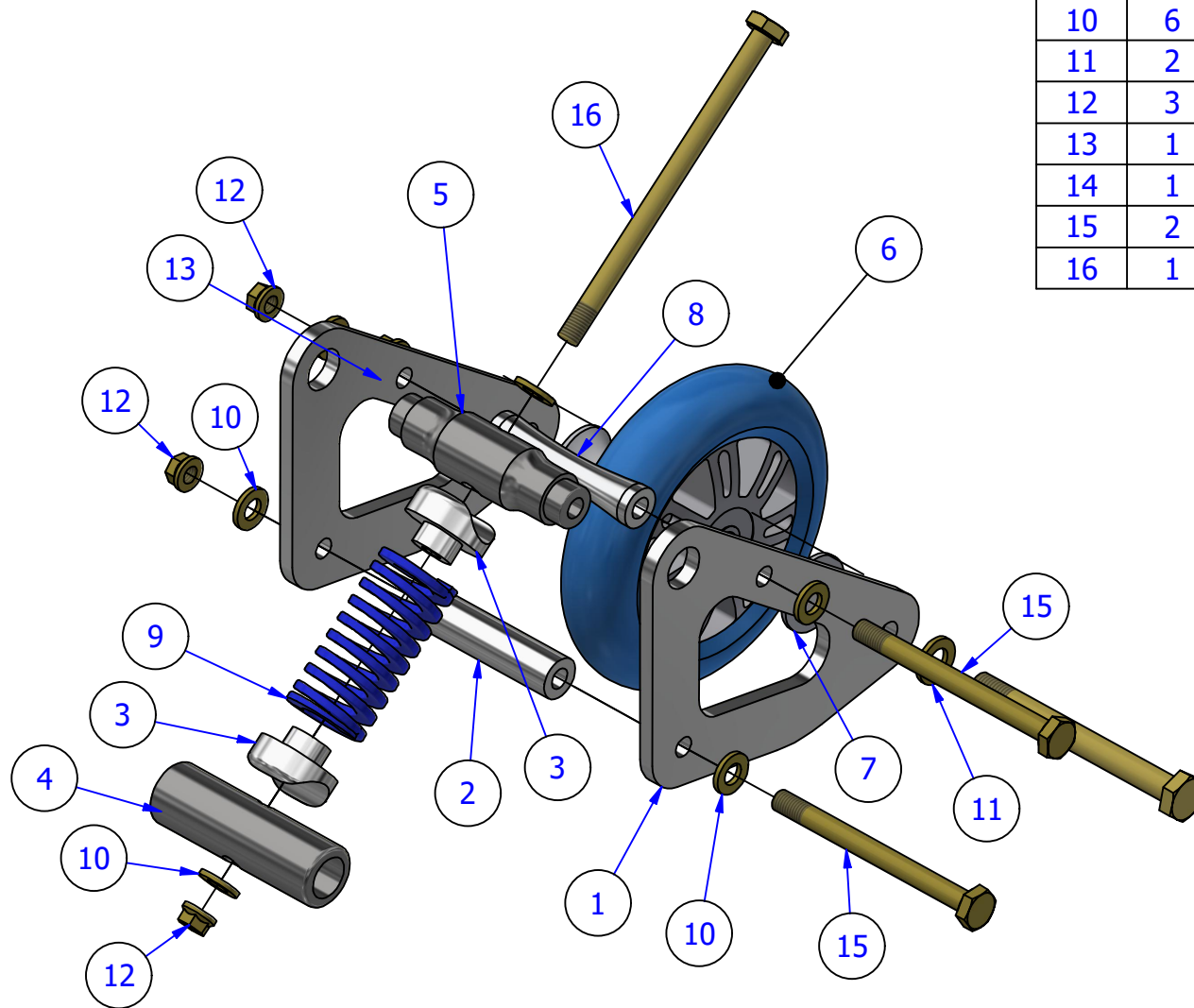
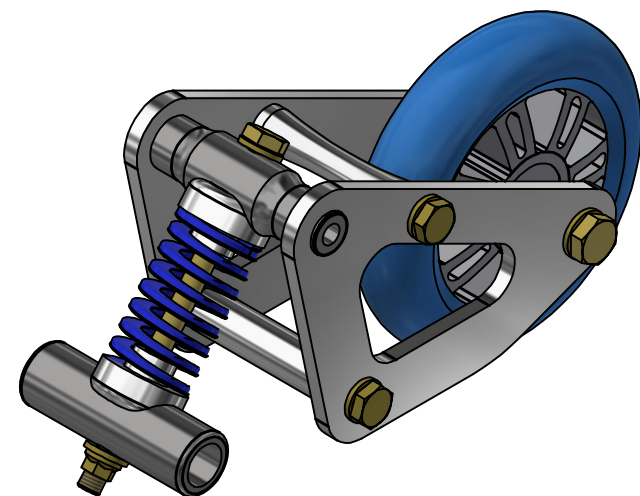
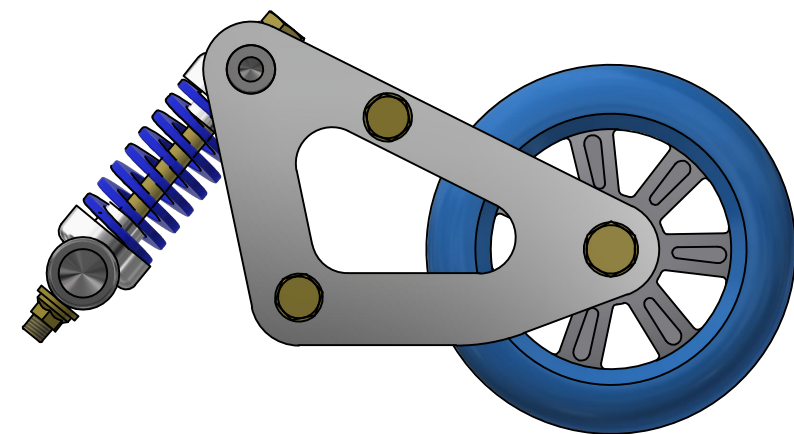
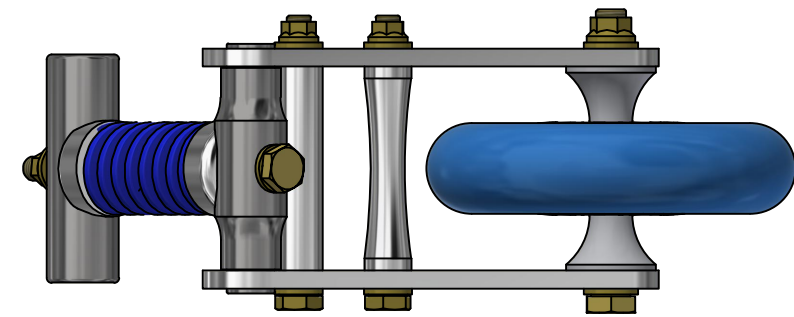


4

3

2

1



PARTS LIST

ITEM	QTY	PART NUMBER	DESCRIPTION
1	2	7100-7770	Tail Plate B
2	1	7100-7810	Tail Wheel Pivot Axle
3	2	7100-7800	Tail Spring Lug
4	1	7100-7790	Shock Shaft A-Tail
5	1	7100-7780	Shock Shaft B-Tail
6	1	Razor Wheel	Razor Wheel
7	2	7000-5240	Tail Wheel Spacer
8	1	7000-5250	250 x 500 x 2.125 Concave Spacer
9	1	9573K520	Tail Wheel Spring
10	6	AN960-416	1/4" Flat Washer x .062"
11	2	AN960-516	5/16" Flat Washer x .062"
12	3	MS21042-4	1/4"-28 Stop Nut
13	1	MS21042-5	5/16"-24 Stop Nut
14	1	AN5-27A	5/16"-24 x 2 7/8"
15	2	AN4-27A	1/4"-28 x 2 7/8"
16	1	AN4-40A	1/4"-28 x 4"

PART NAME:

PART NUMBER:
Tail Wheel Assy B



GYRO TECHNIC
engineering the power of flight

31196 490th Street, Kasota, MN 56050
 507-243-3991
 sales@gyrotech.com www.gyrotech.com

THIS DRAWING AND THE INFORMATION HEREIN IS THE EXCLUSIVE PROPERTY OF GYRO TECHNIC INC AND IS NOT TO BE REPRODUCED OR USED TO MANUFACTURE ITEMS FOR USE OR SALE BY ANY OTHER PERSON OR CONCERN WITHOUT THE WRITTEN PERMISSION OF GYRO TECHNIC INC.

4

3

2

1