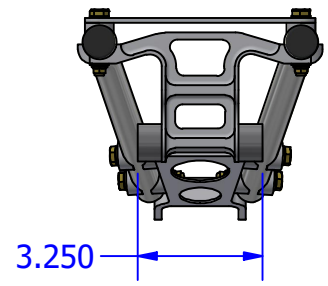


PARTS LIST			
ITEM	QTY	PART NUMBER	DESCRIPTION
1	1	7100-0700	Tail Support_Top Attachment Block
2	1	7100-4360	Tail Support_Top Tube Attachment Plate
3	2	7100-4500	Link Bottom Spacer .25 x 1 x .625
5	1	7100-2920	Tail Support_Rear Attachment Block
6	1	7100-5820	Tail Support Tube_Left
7	1	7100-5980	Tail Support Tube_Right
8	2	9753K47	3/4" Vinyl Cap
9	8	AN4-14A	1/4"-28 x 1 1/2"
10	8	MS21042-4	1/4"-28 Stop Nut
11	12	AN960-416	1/4" Flat Washer x .062"
12	4	AN960-416L	1/4" Flat Washer x .031"
13	14	7000-7660	.25 x.75 x .125 x .75 Saddle Washer



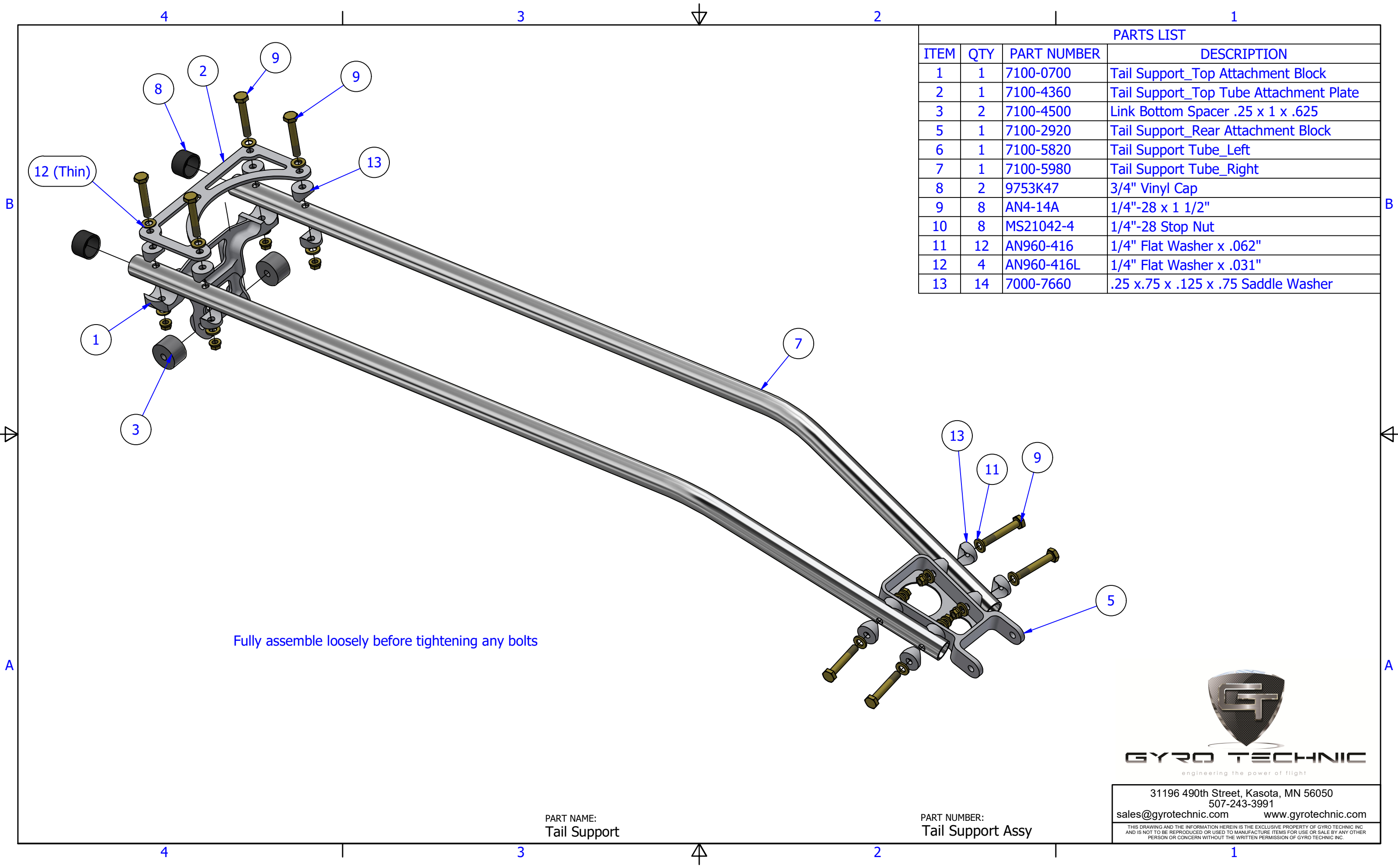
Exploped view on page 2

PART NAME:  
Tail Support

PART NUMBER:  
Tail Support Assy



31196 490th Street, Kasota, MN 56050  
507-243-3991  
sales@gyrotechnic.com www.gyrotechnic.com  
THIS DRAWING AND THE INFORMATION HEREIN IS THE EXCLUSIVE PROPERTY OF GYRO TECHNIC INC AND IS NOT TO BE REPRODUCED OR USED TO MANUFACTURE ITEMS FOR USE OR SALE BY ANY OTHER PERSON OR CONCERN WITHOUT THE WRITTEN PERMISSION OF GYRO TECHNIC INC.



PARTS LIST			
ITEM	QTY	PART NUMBER	DESCRIPTION
1	1	7100-0700	Tail Support_Top Attachment Block
2	1	7100-4360	Tail Support_Top Tube Attachment Plate
3	2	7100-4500	Link Bottom Spacer .25 x 1 x .625
5	1	7100-2920	Tail Support_Rear Attachment Block
6	1	7100-5820	Tail Support Tube_Left
7	1	7100-5980	Tail Support Tube_Right
8	2	9753K47	3/4" Vinyl Cap
9	8	AN4-14A	1/4"-28 x 1 1/2"
10	8	MS21042-4	1/4"-28 Stop Nut
11	12	AN960-416	1/4" Flat Washer x .062"
12	4	AN960-416L	1/4" Flat Washer x .031"
13	14	7000-7660	.25 x .75 x .125 x .75 Saddle Washer

Fully assemble loosely before tightening any bolts

PART NAME:  
Tail Support

PART NUMBER:  
Tail Support Assy



31196 490th Street, Kasota, MN 56050  
 507-243-3991  
 sales@gyrotechinc.com www.gyrotechinc.com  
THIS DRAWING AND THE INFORMATION HEREIN IS THE EXCLUSIVE PROPERTY OF GYRO TECHNIC INC AND IS NOT TO BE REPRODUCED OR USED TO MANUFACTURE ITEMS FOR USE OR SALE BY ANY OTHER PERSON OR CONCERN WITHOUT THE WRITTEN PERMISSION OF GYRO TECHNIC INC.