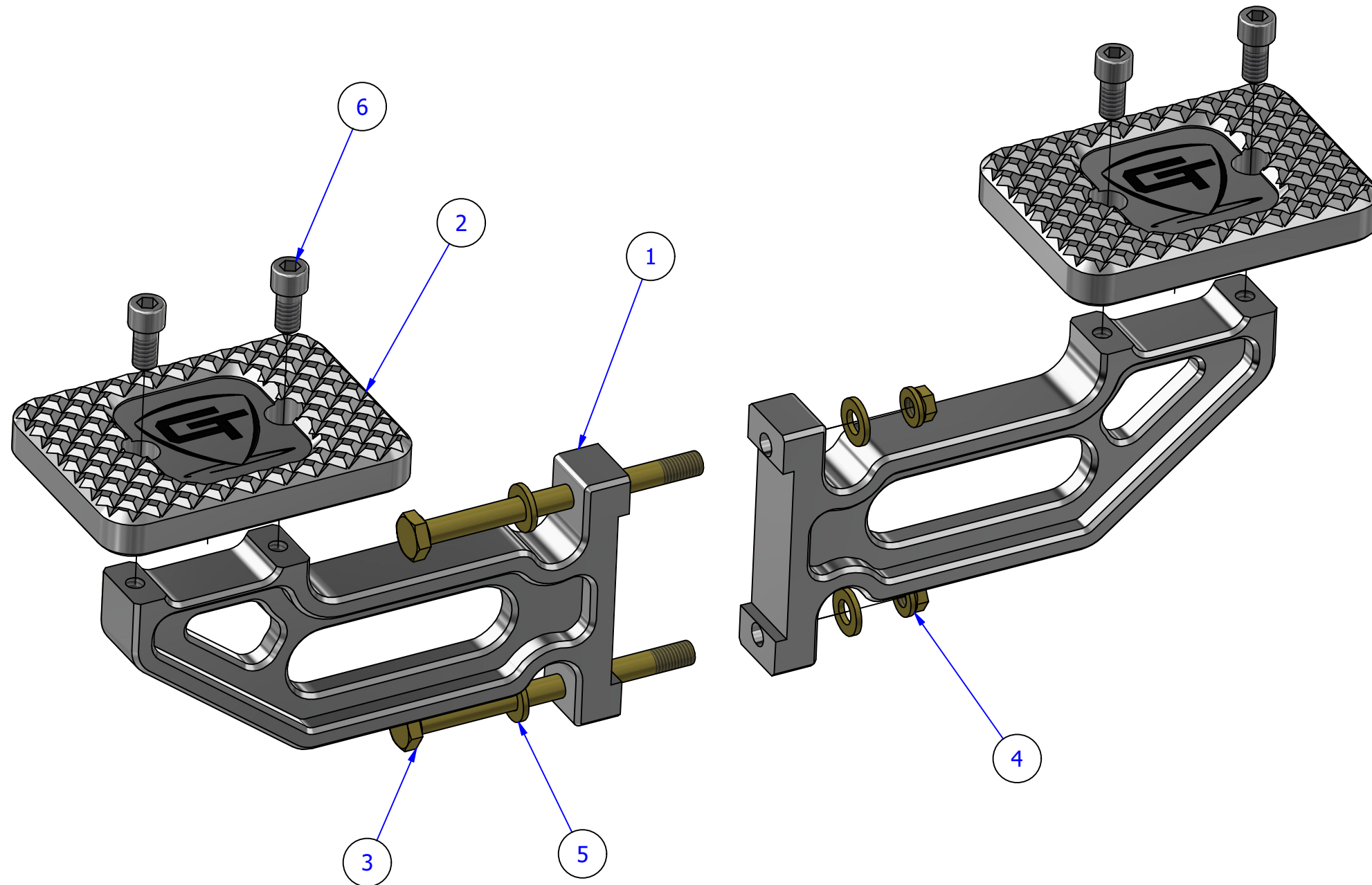


PARTS LIST			
ITEM	QTY	PART NUMBER	DESCRIPTION
1	2	7000-5990	Step Arm A
2	2	7000-6000	Step Pad A
3	2	AN4-31A	1/4"-28 x 3 1/8"
4	2	MS21042-4	1/4"-28 Stop Nut
5	4	AN960-416	1/4" Flat Washer x .062"
6	4	1/4 - 20 UNC - 1/2	Socket Head Cap Screw



PART NAME:

PART NUMBER:
Step Assy A



31196 490th Street, Kasota, MN 56050
507-243-3991
sales@gyrotech.com www.gyrotech.com
THIS DRAWING AND THE INFORMATION HEREIN IS THE EXCLUSIVE PROPERTY OF GYRO TECHNIC INC AND IS NOT TO BE REPRODUCED OR USED TO MANUFACTURE ITEMS FOR USE OR SALE BY ANY OTHER PERSON OR CONCERN WITHOUT THE WRITTEN PERMISSION OF GYRO TECHNIC INC.