

4

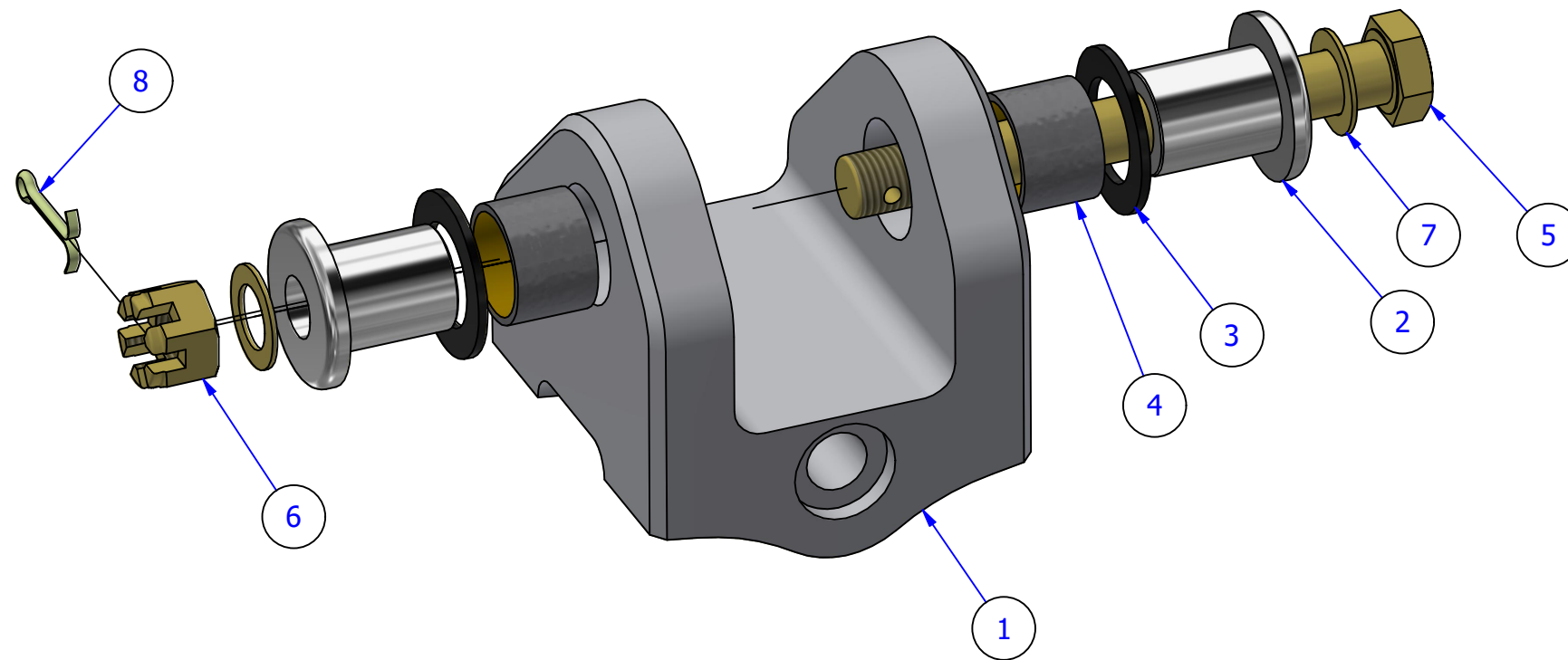
3

2

1

PARTS LIST

ITEM	QTY	STOCK NUMBER	DESCRIPTION
1	1	7000-0340	Gimbal Block
2	2	7000-0950	Gimbal Hat Bushing
3	2	7000-0960	Pitch Thrust Washer
4	2	10TU08	10TU08 ISOSTATIC 5/8X.718X1/2
5	1	AN6-32	3/8"-24 x 3 1/4" Drilled
6	1	AN310-6	3/8"-24 Castle Nut
7	2	AN960-616L	3/8" Flat Washer x .031"
8	1	AN380-3-3	3/32" x 3/4" Cotter Pin



PART NAME:  
Gimbal Components X1

PART NUMBER:  
Rotor Head\_Gimbal Components



31196 490th Street, Kasota, MN 56050  
507-243-3991  
sales@gyrotech.com www.gyrotech.com

THIS DRAWING AND THE INFORMATION HEREIN IS THE EXCLUSIVE PROPERTY OF GYRO TECHNIC INC AND IS NOT TO BE REPRODUCED OR USED TO MANUFACTURE ITEMS FOR USE OR SALE BY ANY OTHER PERSON OR CONCERN WITHOUT THE WRITTEN PERMISSION OF GYRO TECHNIC INC.

4

3

2

1