

PARTS LIST			
ITEM	QTY	PART NUMBER	DESCRIPTION
1	1	7100-0940	Pedal Angle A_Right
2	1	7100-0950	Pedal Angle B_Right
3	3	7100-0930	Pedal Cross Angle
4	2	GFI-1214-08	.750" x .875" x .500" OAL
5	2	CMR4	250 Male Rod End Bearing
6	2	1/4 - 28	Hex Jam Nut
7	1	7000-1570	250 x 375 x 125 Rod End Spacer
8	1	7100-5730	Steering Link Rod - Forward
9	1	7100-4010	Rudder Pedal Horn - Forward
10	12	97482A275	3_16 x 1/2 Solid Rivet
11	2	AN4-6A	1/4"-28 x 3/4"
12	1	AN4-10A	1/4"-28 x 1"
13	3	MS21042-4	1/4"-28 Stop Nut
14	2	AN960-416L	1/4" Flat Washer x .031"
15	4	AN960-416	1/4" Flat Washer x .062"

Pedal horn for forward pedal position shown

PART NAME:
Right Pedal

PART NUMBER:
Right Pedal

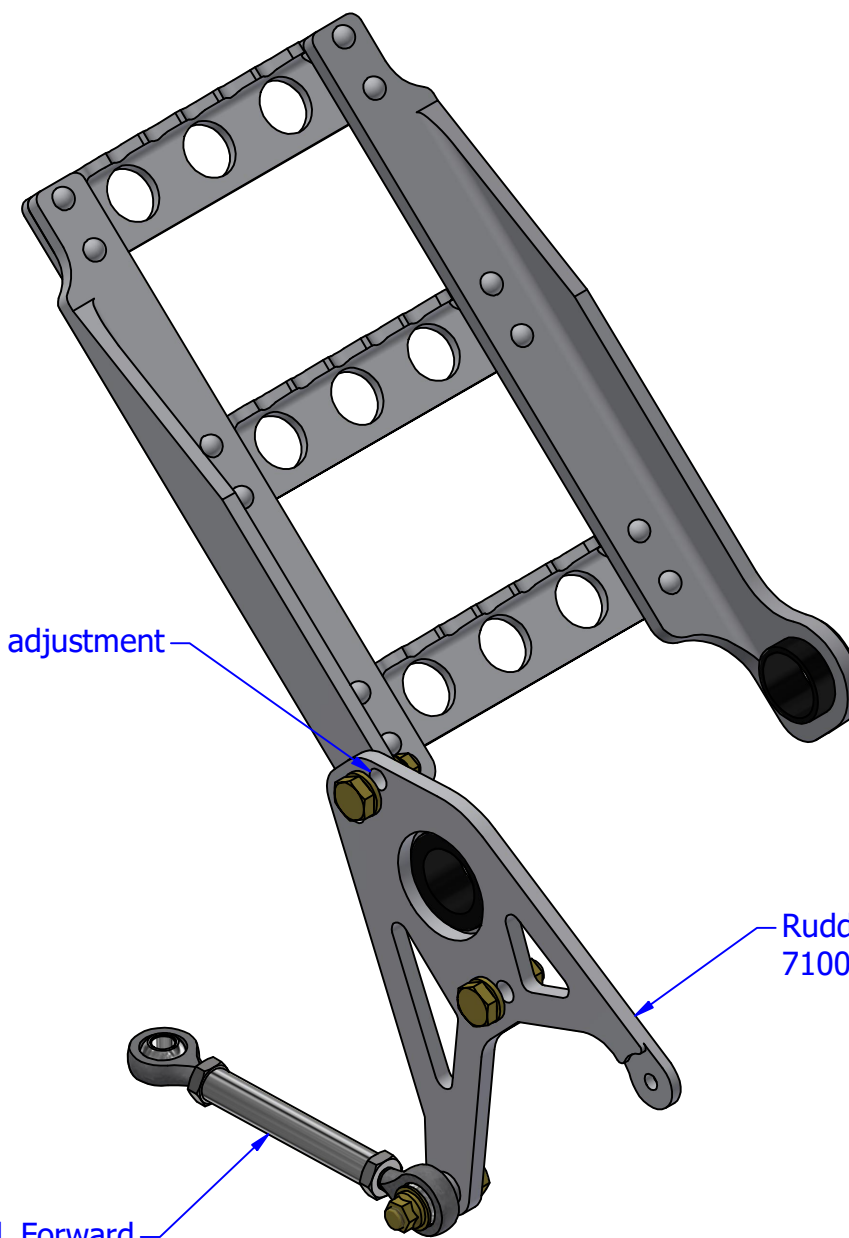
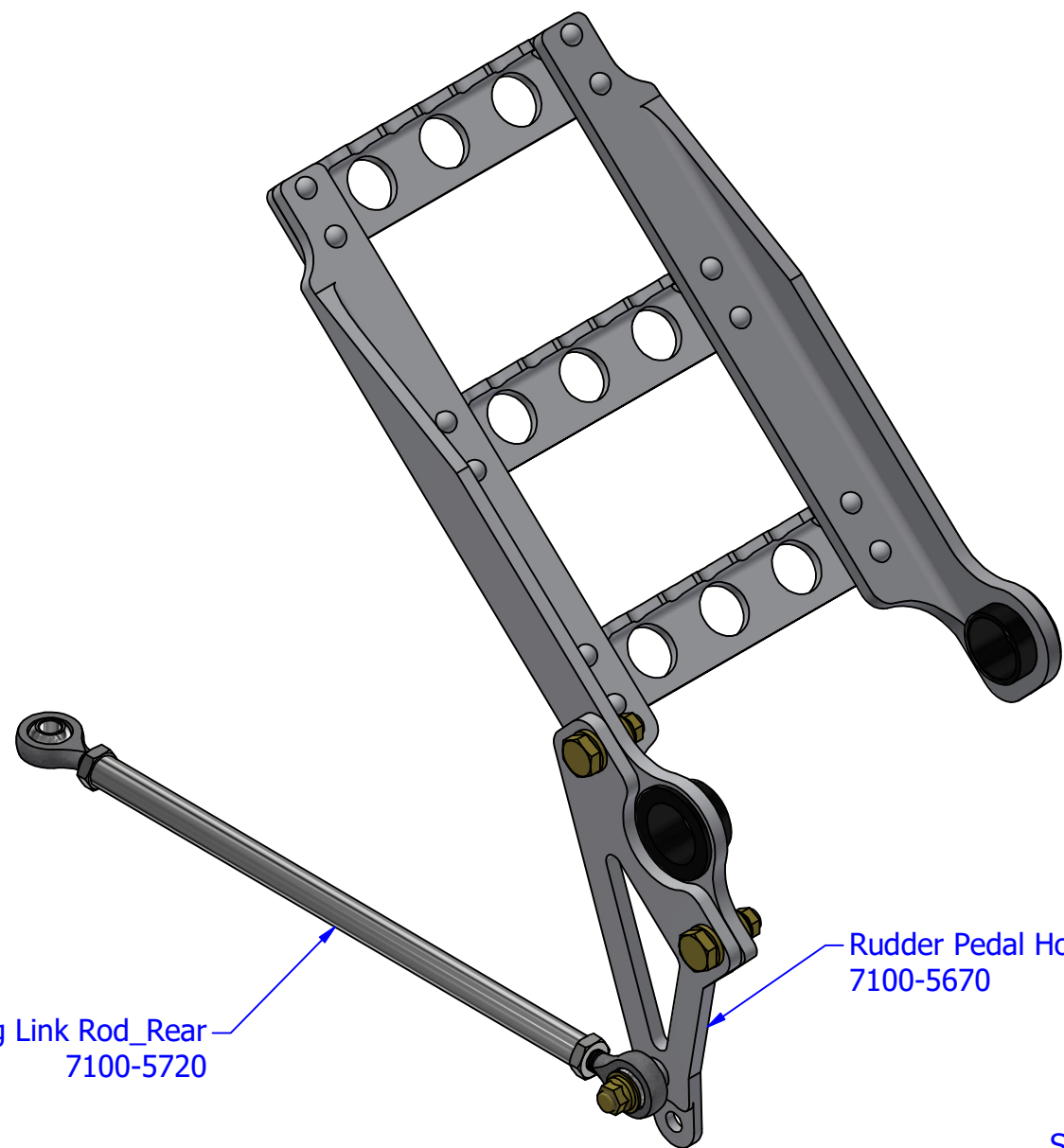


31196 490th Street, Kasota, MN 56050
507-243-3991
sales@gyrotechinc.com www.gyrotechinc.com
THIS DRAWING AND THE INFORMATION HEREIN IS THE EXCLUSIVE PROPERTY OF GYRO TECHNIC INC AND IS NOT TO BE REPRODUCED OR USED TO MANUFACTURE ITEMS FOR USE OR SALE BY ANY OTHER PERSON OR CONCERN WITHOUT THE WRITTEN PERMISSION OF GYRO TECHNIC INC.

4 3 2 1

For pedals mounted BEHIND instrument pod riser.

For pedals mounted in FRONT of instrument pod riser.



PART NAME:
Right Pedal

PART NUMBER:
Pedal Assy_Right_Rear Position



31196 490th Street, Kasota, MN 56050
507-243-3991
sales@gyrotechinc.com www.gyrotechinc.com
THIS DRAWING AND THE INFORMATION HEREIN IS THE EXCLUSIVE PROPERTY OF GYRO TECHNIC INC AND IS NOT TO BE REPRODUCED OR USED TO MANUFACTURE ITEMS FOR USE OR SALE BY ANY OTHER PERSON OR CONCERN WITHOUT THE WRITTEN PERMISSION OF GYRO TECHNIC INC.