

Exploded view Page 2

PART NAME:
Left Pedal

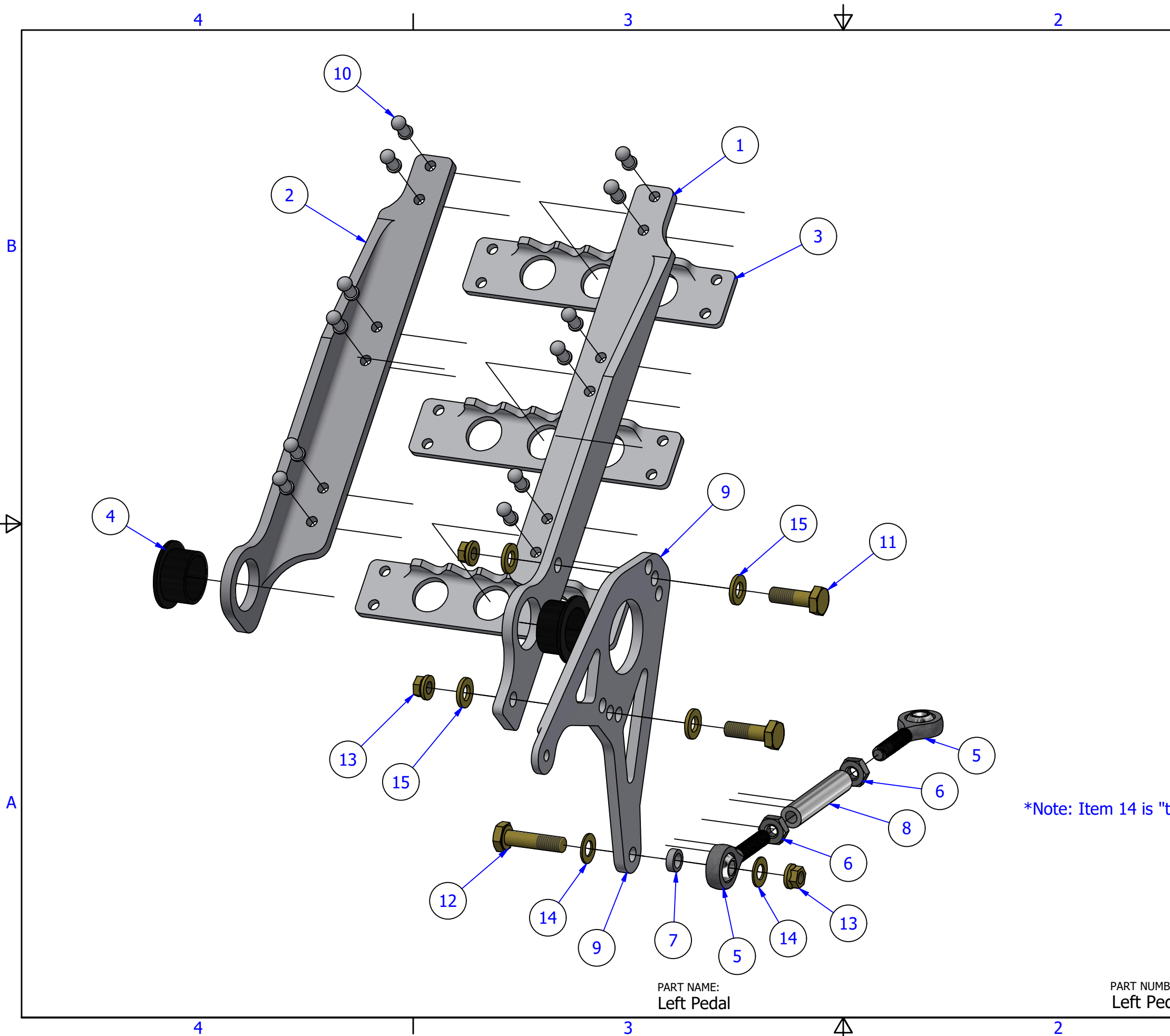
PART NUMBER:
Left Pedal

PARTS LIST

ITEM	QTY	PART NUMBER	DESCRIPTION
1	1	7100-1070	Pedal Angle A_Left
2	1	7100-1080	Pedal Angle B_Left
3	3	7100-0930	Pedal Cross Angle
4	2	GFI-1214-08	.750" x .875" x .500" OAL
5	2	CMR4	250 Male Rod End Bearing
6	2	1/4 - 20	Hex Jam Nut
7	1	7000-1570	250 x 375 x 125
8	1	7100-5730	Steering Link Rod - Forward
9	1	7100-4010	Rudder Pedal Horn - Forward
10	12	97482A275	3_16 Rivet
11	2	AN4-6A	1/4"-28 x 3/4"
12	1	AN4-10A	1/4"-28 x 1"
13	3	MS21042-4	1/4"-28 Stop Nut
14	2	AN960-416L	1/4" Flat Washer x .031"
15	4	AN960-416	1/4" Flat Washer x .062"
			Right Pedal Parts
1			Rudder Pedal Horn - Back
1			Pedal Angle B_Right
1			Pedal Angle A_Right
1			Steering Link Rod - Back



31196 490th Street, Kasota, MN 56050
 507-243-3991
 sales@gyrotech.com www.gyrotech.com
THIS DRAWING AND THE INFORMATION HEREIN IS THE EXCLUSIVE PROPERTY OF GYRO TECHNIC INC AND IS NOT TO BE REPRODUCED OR USED TO MANUFACTURE ITEMS FOR USE OR SALE BY ANY OTHER PERSON OR CONCERN WITHOUT THE WRITTEN PERMISSION OF GYRO TECHNIC INC.



PART NAME:
Left Pedal

PART NUMBER:
Left Pedal

*Note: Item 14 is "thin" washers

PARTS LIST

ITEM	QTY	STOCK NUMBER	DESCRIPTION
1	1	7100-1070	Pedal Angle A_Left
2	1	7100-1080	Pedal Angle B_Left
3	3	7100-0930	Pedal Cross Angle
4	2	GFI-1214-08	.750" x .875" x .500" OAL
5	2	CMR4	250 Male Rod End Bearing
6	2	1/4-28	Hex Jam Nut
7	1	7000-1570	250 x 375 x 125
8	1	7100-5730	Steering Link Rod - Forward
9	1	7100-4010	Rudder Pedal Horn - Forward
10	12	97482A275	3_16 Rivet
11	2	AN4-6A	1/4"-28 x 3/4"
12	1	AN4-10A	1/4"-28 x 1"
13	3	MS21042-4	1/4"-28 Stop Nut
14	2	AN960-416L	1/4" Flat Washer x .031"
15	4	AN960-416	1/4" Flat Washer x .062"
			Right Pedal Parts
	1	7100-0940	Pedal Angle A_Right
	1	7100-0950	Pedal Angle B_Right
	1	7100-5670	Rudder Pedal Horn - Back
	1	7100-5720	Steering Link Rod - Back



31196 490th Street, Kasota, MN 56050
 507-243-3991
 sales@gyrotechnic.com www.gyrotechnic.com
THIS DRAWING AND THE INFORMATION HEREIN IS THE EXCLUSIVE PROPERTY OF GYRO TECHNIC INC AND IS NOT TO BE REPRODUCED OR USED TO MANUFACTURE ITEMS FOR USE OR SALE BY ANY OTHER PERSON OR CONCERN WITHOUT THE WRITTEN PERMISSION OF GYRO TECHNIC INC.