

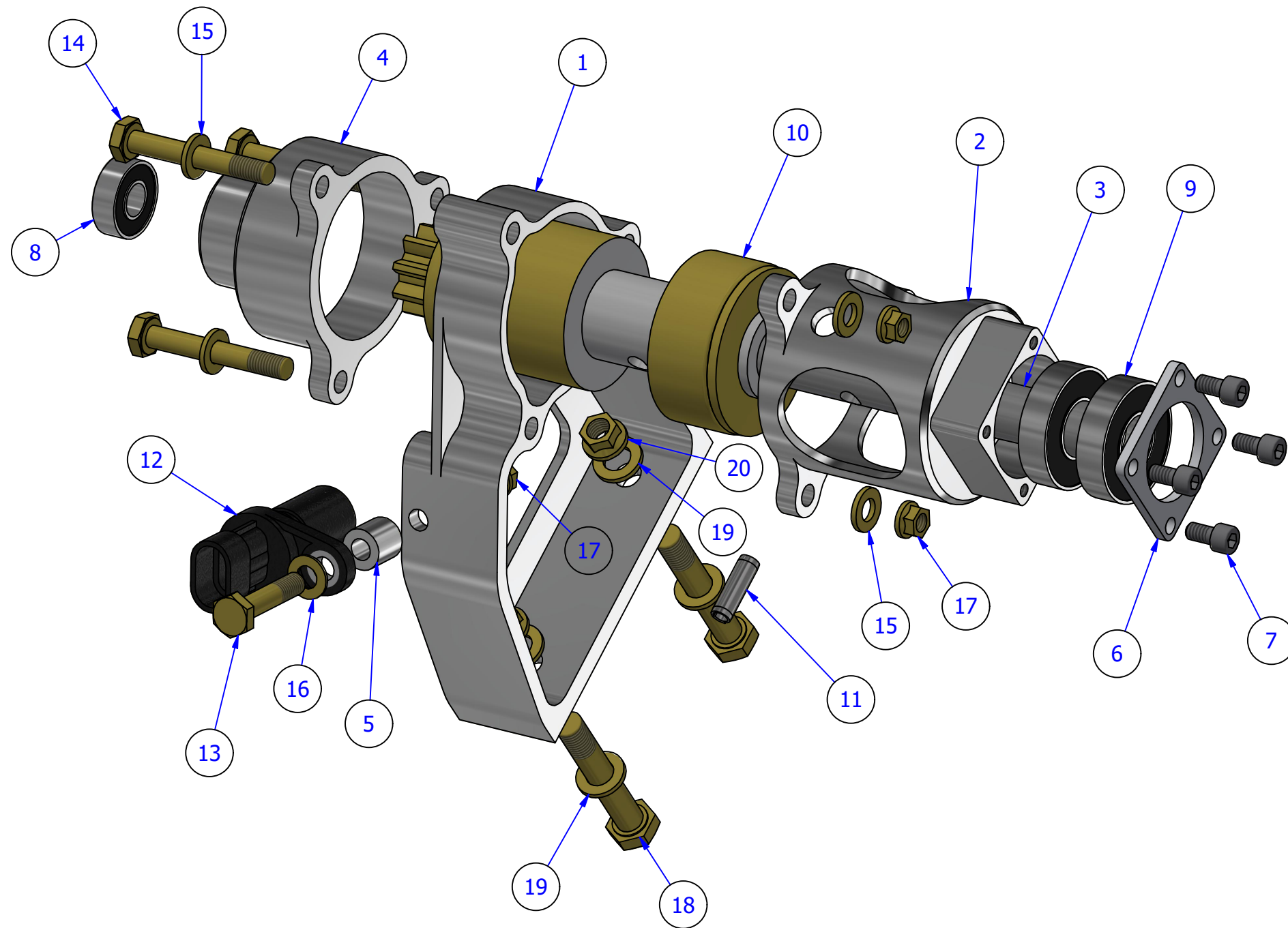
PARTS LIST			
ITEM	QTY	PART NUMBER	DESCRIPTION
1	1	7000-1040	Mounting Arm_Bendix Assy
2	1	7000-1030	Bendix Housing_Bottom
3	1	7000-1010	Bendix Shaft
4	1	7000-1020	Bendix Housing_Top
5	1	7000-1600	Pick up Prox Spacer
6	1	7000-0850	R10 Retainer - 4 Hole
7	4	10-24 x 3/8	SHCS
8	1	R6-2RS	3/8" Bearing
9	2	R10-2RS	5/8" Ball Bearing
10	1	EBB75A	Bendix Unit
11	1	91598A470	1/4 x 3/4 Pin - Coiled Spring
12	1	55505	24VDC Hall Sensor
13	1	AN4-11A	1/4"-28 x 1 1/8"
14	3	AN4-16A	1/4"-28 x 1 3/4"
15	6	AN960-416	1/4" Flat Washer x .062"
16	2	AN960-416L	1/4" Flat Washer x .031"
17	4	MS21042-4	1/4"-28 Stop Nut
18	2	AN5-17A	5/16"-24 x 1 7/8"
19	4	AN960-516	5/16" Flat Washer x .062"
20	2	MS21042-5	5/16"-24 Stop Nut

PART NAME:
PR Upper Assembly

PART NUMBER:
PR Upper Assy



31196 490th Street, Kasota, MN 56050
507-243-3991
sales@gyrotechinc.com www.gyrotechinc.com
THIS DRAWING AND THE INFORMATION HEREIN IS THE EXCLUSIVE PROPERTY OF GYRO TECHNIC INC AND IS NOT TO BE REPRODUCED OR USED TO MANUFACTURE ITEMS FOR USE OR SALE BY ANY OTHER PERSON OR CONCERN WITHOUT THE WRITTEN PERMISSION OF GYRO TECHNIC INC.



PARTS LIST			
ITEM	QTY	PART NUMBER	DESCRIPTION
1	1	7000-1040	Mounting Arm_Bendix Assy
2	1	7000-1030	Bendix Housing_Bottom
3	1	7000-1010	Bendix Shaft
4	1	7000-1020	Bendix Housing_Top
5	1	7000-1600	Pick up Prox Spacer
6	1	7000-0850	R10 Retainer - 4 Hole
7	4	10-24 x 3/8	SHCS
9	2	R10-2RS	5/8" Ball Bearing
8	1	R6-2RS	3/8" Bearing
10	1	EBB75A	Bendix Unit
11	1	91598A470	1/4 x 3/4 Pin - Coiled Spring
12	1	55505	24VDC Hall Sensor
13	1	AN4-11A	1/4"-28 x 1 1/8"
14	3	AN4-16A	1/4"-28 x 1 3/4"
15	6	AN960-416	1/4" Flat Washer x .062"
16	2	AN960-416L	1/4" Flat Washer x .031"
17	4	MS21042-4	1/4"-28 Stop Nut
18	2	AN5-17A	5/16"-24 x 1 7/8"
19	4	AN960-516	5/16" Flat Washer x .062"
20	2	MS21042-5	5/16"-24 Stop Nut

PART NAME:
PR Upper Assembly

PART NUMBER:
PR Upper Assy



31196 490th Street, Kasota, MN 56050
507-243-3991
sales@gyrotechinc.com www.gyrotechinc.com
THIS DRAWING AND THE INFORMATION HEREIN IS THE EXCLUSIVE PROPERTY OF GYRO TECHNIC INC AND IS NOT TO BE REPRODUCED OR USED TO MANUFACTURE ITEMS FOR USE OR SALE BY ANY OTHER PERSON OR CONCERN WITHOUT THE WRITTEN PERMISSION OF GYRO TECHNIC INC.