

4

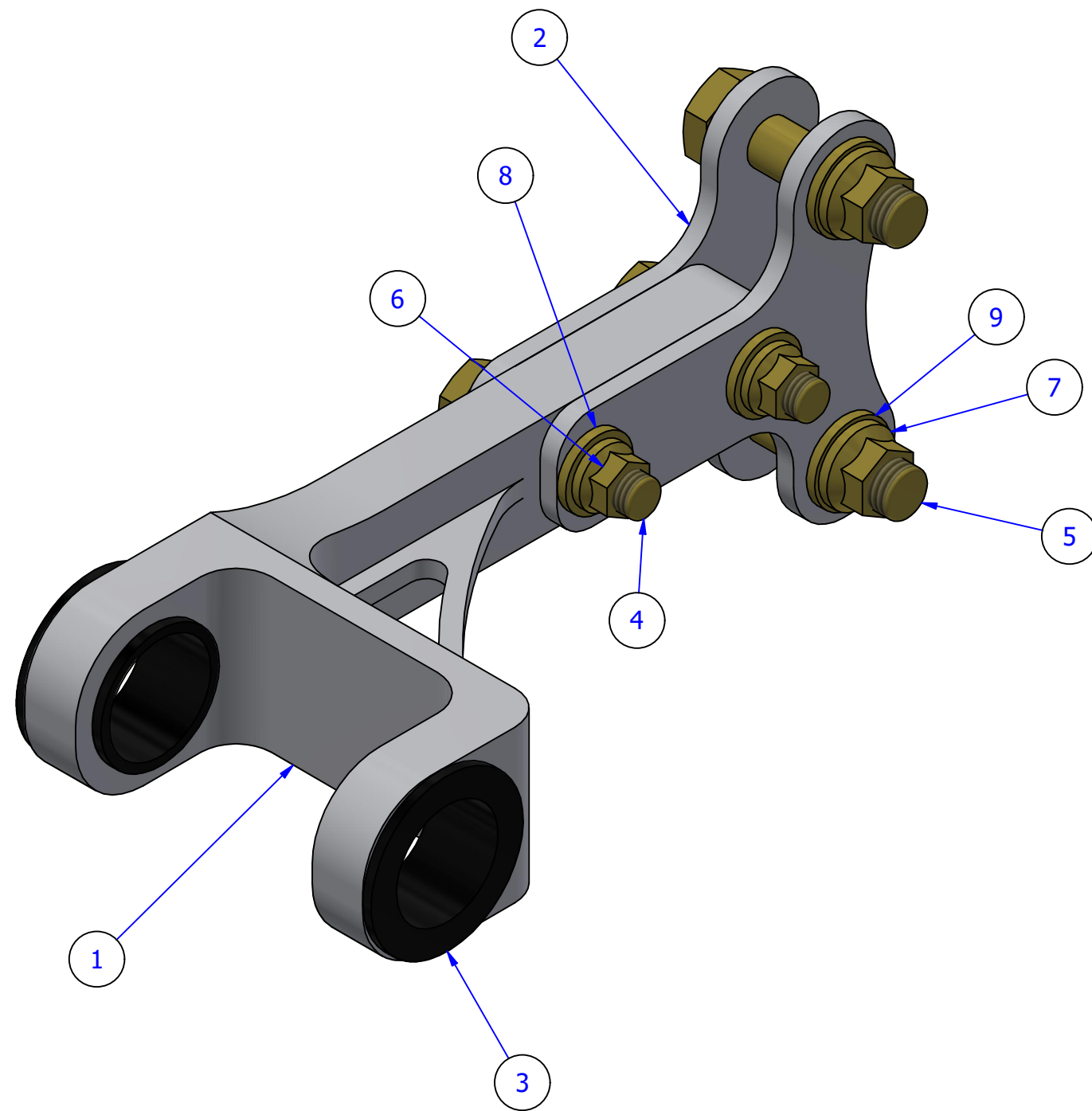
3

2

1

PARTS LIST

ITEM	QTY	PART NUMBER	DESCRIPTION
1	1	7100-0920	Intermediate Link_A Arm
2	2	7100-1630	Rod End Link Plate
3	2	GFI-1214-08	.750" x .875" x .500" OAL
4	2	AN4-11A	1/4"-28 x 1 1/8"
5	2	AN5-11A	5/16"-24 x 1 1/8"
6	2	MS21042-4	1/4"-28 Stop Nut
7	2	MS21042-5	5/16"-24 Stop Nut
8	4	AN960-416	1/4" Flat Washer x .062"
9	4	AN960-516	5/16" Flat Washer x .062"



PART NAME:  
Intermediate Link Arm

PART NUMBER:  
Intermediate Link Arm Assy



**GYRO TECHNIC**  
engineering the power of flight

31196 490th Street, Kasota, MN 56050  
 507-243-3991  
 sales@gyrotech.com www.gyrotech.com

THIS DRAWING AND THE INFORMATION HEREIN IS THE EXCLUSIVE PROPERTY OF GYRO TECHNIC INC AND IS NOT TO BE REPRODUCED OR USED TO MANUFACTURE ITEMS FOR USE OR SALE BY ANY OTHER PERSON OR CONCERN WITHOUT THE WRITTEN PERMISSION OF GYRO TECHNIC INC.

4

3

2

1