

4

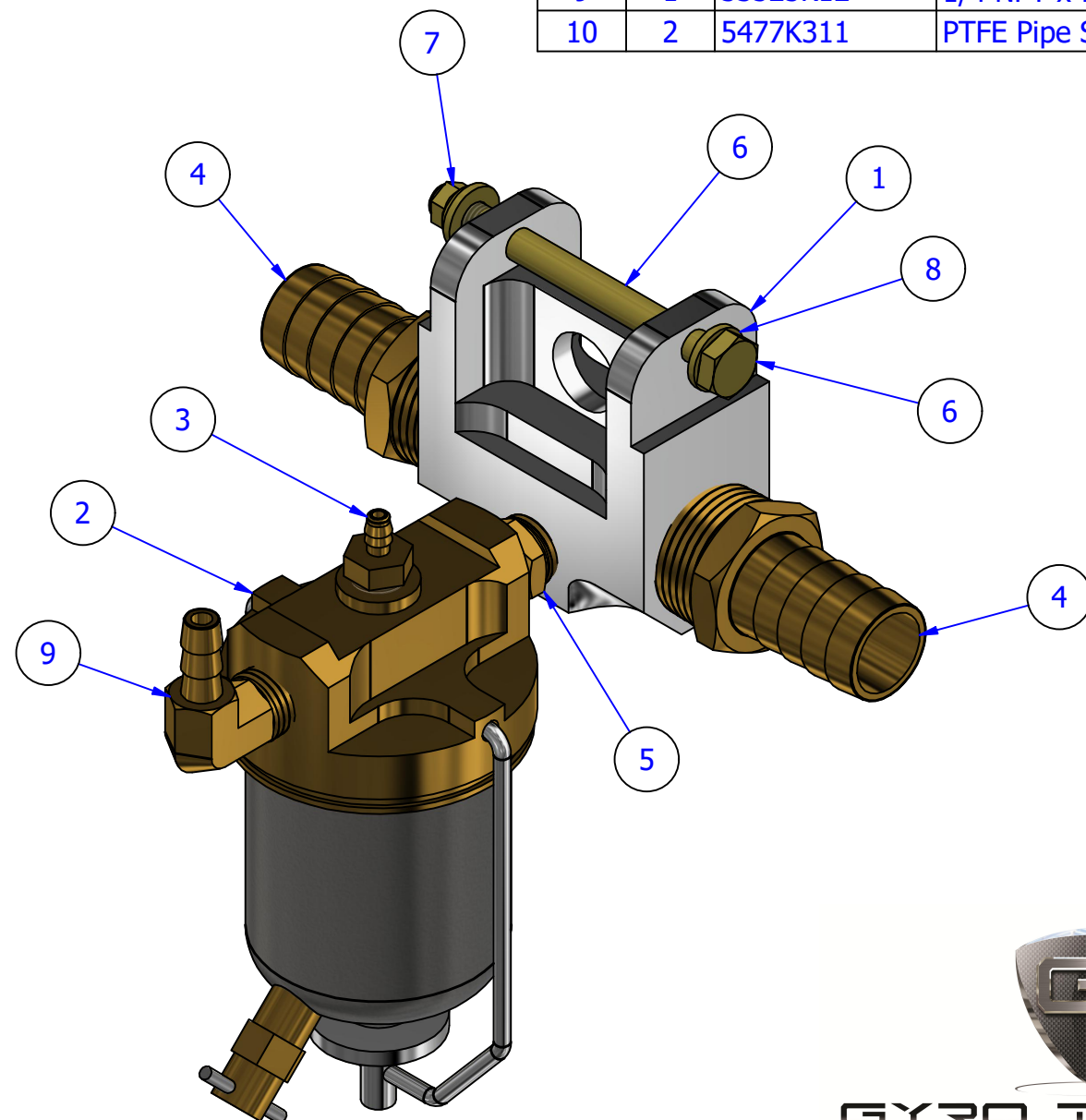
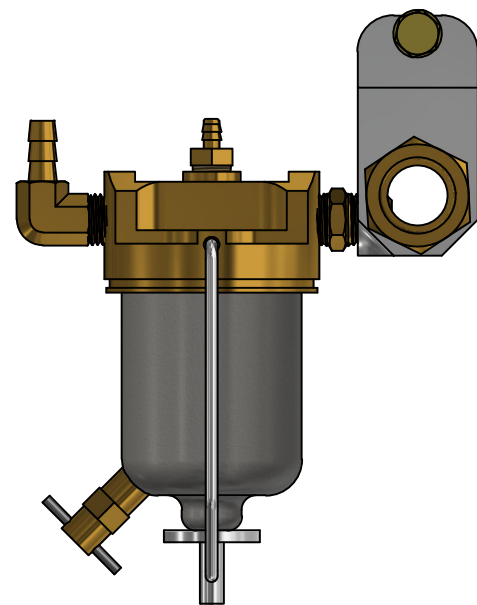
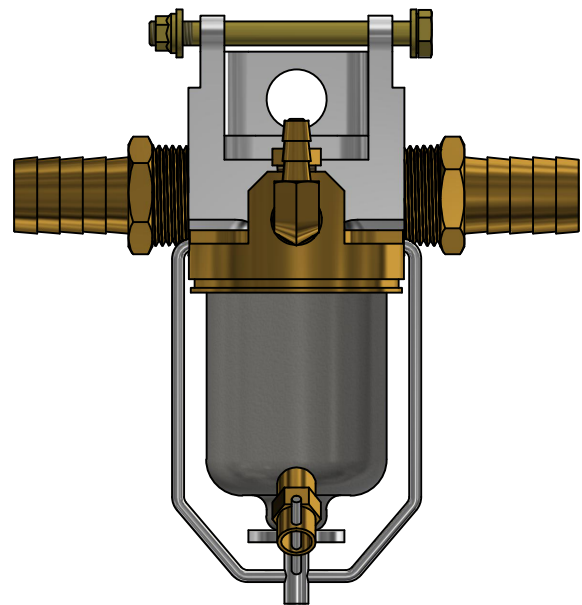
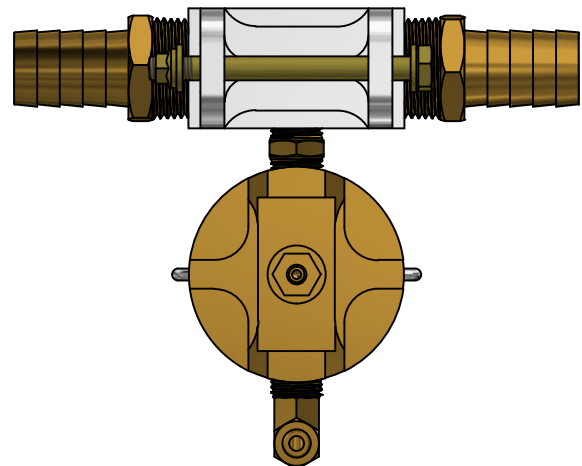
3

2

1

PARTS LIST

| ITEM | QTY | PART NUMBER | DESCRIPTION              |
|------|-----|-------------|--------------------------|
| 1    | 1   | 7000-5410   | Fuel Block B             |
| 2    | 1   | 10580       | Gascolator               |
| 3    | 1   | PBF1        | 1/8" NPT x 3/16" Hose    |
| 4    | 2   | 5346K28     | .750 NPT x .750 Hose     |
| 5    | 1   | 5485K220    | 250 NPT Hex Nipple       |
| 6    | 1   | AN4-26A     | 1/4"-28 x 2 3/4"         |
| 7    | 1   | MS21042-4   | 1/4"-28 Stop Nut         |
| 8    | 2   | AN960-416   | 1/4" Flat Washer x .062" |
| 9    | 1   | 53525K12    | 1/4 NPT x 1/4" Hose 90°  |
| 10   | 2   | 5477K311    | PTFE Pipe Sealant        |



PART NAME:

PART NUMBER:  
Fuel Manifold Assy



31196 490th Street, Kasota, MN 56050  
 507-243-3991  
 sales@gyrotech.com www.gyrotech.com

THIS DRAWING AND THE INFORMATION HEREIN IS THE EXCLUSIVE PROPERTY OF GYRO TECHNIC INC AND IS NOT TO BE REPRODUCED OR USED TO MANUFACTURE ITEMS FOR USE OR SALE BY ANY OTHER PERSON OR CONCERN WITHOUT THE WRITTEN PERMISSION OF GYRO TECHNIC INC.

4

3

2

1