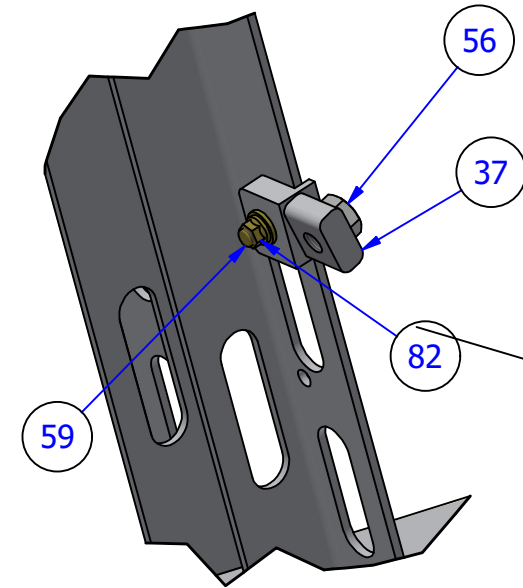
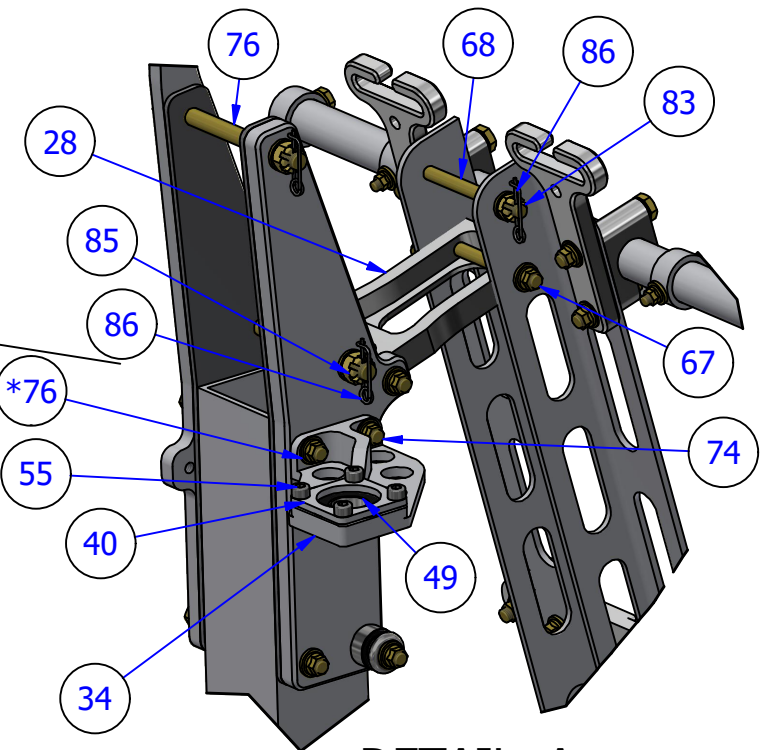


Sub Assy: Frame GT VX-1

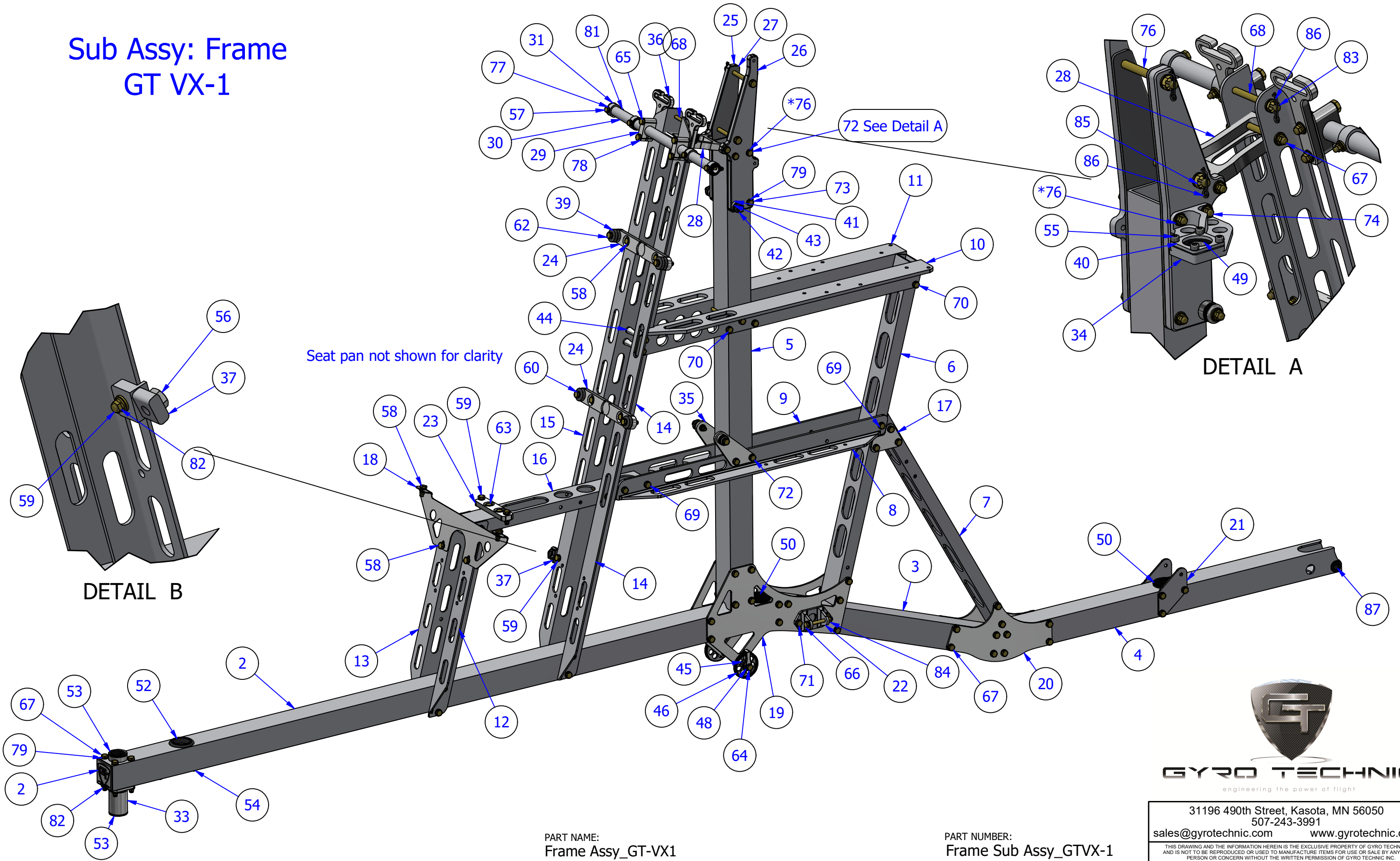


DETAIL B

Seat pan not shown for clarity



DETAIL A



PART NAME:
Frame Assy_GT-VX1

PART NUMBER:
Frame Sub Assy_GTVX-1



GYRO TECHNIC
engineering the power of flight

31196 490th Street, Kasota, MN 56050
507-243-3991
sales@gyrotechinc.com www.gyrotechinc.com

THIS DRAWING AND THE INFORMATION HEREIN IS THE EXCLUSIVE PROPERTY OF GYRO TECHNIC INC AND IS NOT TO BE REPRODUCED OR USED TO MANUFACTURE ITEMS FOR USE OR SALE BY ANY OTHER PERSON OR CONCERN WITHOUT THE WRITTEN PERMISSION OF GYRO TECHNIC INC.

4

3

2

1

PARTS LIST

PARTS LIST

PARTS LIST

ITEM	QTY	PART NUMBER	DESCRIPTION	ITEM	QTY	PART NUMBER	DESCRIPTION	ITEM	QTY	PART NUMBER	DESCRIPTION
1	1	41700V	Kirkey 41700V Seat Assy	38	1	7100-5130	Electrical Access Cover	76	2	AN5-34	5/16"-24 x 3 1/2"
2	1	7100-6690	Keel Tube	39	6	7100-6680	Spacer Washer_Seat	77	8	AN960-10	#10 Flat Washer x .062"
3	1	7100-0730	Transition Tube	40	1	7000-0850	R10 Retainer - 4 Hole	78	12	AN960-416L	1/4" Flat Washer x .031"
4	1	7100-7820	Tail Boom	41	4	7100-8650	Seatbelt Lug A	79	165	AN960-416	1/4" Flat Washer x .062"
5	1	7100-0270	Lower Mast Tube	42	4	7100-8660	Seatbelt Lug Cap	80	4	AN960-516	5/16" Flat Washer x .062"
6	1	7100-0050	Brace Tube_Engine Mount	43	4	9714K35	Wave Washer	81	4	MS21042-3	10-32 Stop Nut
7	1	7100-7700	Brace Tube_Tail Boom	44	2	7000-0160	250 x 500 x 2 Concave Spacer	82	85	MS21042-4	1/4"-28 Stop Nut
8	1	7100-3960	Fuel Tank Rail Mount_Left	45	2	7000-0120	Pulley Stud_Conical	83	1	AN310-4	1/4"-28 Castle Nut
9	1	7100-0590	Fuel Tank Rail Mount_Right	46	2	7000-0320	Cable Pulley A	84	2	AN365-428A	1/4"-28 Nylon Insert Lock Nut
10	1	7100-4680	Engine Mount Angle_Left	47	2	R4-2RS	.250 x .625 x .196 Ball Bearing	85	2	AN310-5	5/16"-24 Castle Nut
11	1	7100-0280	Engine Mount Angle_Right	48	2	7000-0350	Cable Retainer_200	86	3	AN416-1	.051" Wire Dia Safety Pin x 1 1/16"
12	1	7100-8170	Seat Brace Front_Left B	49	1	R10-2RS	5/8" x 1 3/8" x .344" Ball Bearing 2RS	87	2	GFI-0809-08	.500" x .5625" x .500" OAL
13	1	7100-8190	Seat Brace Front_Right B	50	3	9307K74	1" x 1 3/4" x 1/8" Panel Grommet				
14	1	7100-4050	Seat Brace_Rear Left	51	2	9600K47	.375" x .625" x .875" x 1/8" Grommet				
15	1	7100-4160	Seat Brace_Rear_Right	52	1	9600K72	1.25" x 1.5" x 1/8" Panel Grommet				
16	1	7100-0550	Seat Spine	53	2	GFI-1618-16	1.00" x 1.125" x 1" OAL				
17	2	7100-7710	Connection Plate_Tail Boom Brace	54	4	10 - 24 x 3/8	BHCS				
18	1	7100-4730	Seat Brace Plate A	55	4	10 - 24 - 1/2	SHCS				
19	2	7100-1300	Cluster Plate_Mast Base	56	1	3/8 - 24	Hex Jam Nut				
20	2	7100-7690	Cluster Plate_Tail Boom	57	4	AN3-13A	10-32 x 1 3/8"				
21	2	7100-2240	Tail_Bottom Cheek Plate	58	8	AN4-5A	1/4"-28 x 5/8"				
22	2	7100-0120	Landing Gear Shackle	59	3	AN4-7A	1/4"-28 x 7/8"				
23	1	7100-4300	Mounting Plate_Seat - Bottom	60	2	AN4-11A	1/4"-28 x 1 1/8"				
24	2	7100-5030	Mounting Plate_Seat - Back	61	2	AN4-12A	1/4"-28 x 1 1/4"				
25	1	7100-3990	Mast Pivot Plate_Right	62	2	AN4-13A	1/4"-28 x 1 3/8"				
26	1	7100-6100	Mast Pivot Plate_Left_Oil	63	2	AN4-14A	1/4"-28 x 1 1/2"				
27	2	7100-4330	Mast Pivot Plate_Spacer	64	2	AN4-16A	1/4"-28 x 1 3/4"				
28	1	7100-5080	Seat Brace_Joining Plate	65	4	AN4-17A	1/4"-28 x 1 7/8"				
29	2	7100-4920	Intermediate Clamp Block_Mono	66	2	AN4-21A	1/4"-28 x 2 1/8"				
30	1	7100-0180	Intermediate Link_Pivot Tube	67	39	AN4-25A	1/4"-28 x 2 5/8"				
31	4	7100-2330	Link Pivot Stop Collar	68	1	AN4-26	1/4"-28 x 2 3/4"				
32	1	7100-6590	Front Keel Cap	69	3	AN4-26A	1/4"-28 x 2 3/4"				
33	1	7100-3920	Steering Column_Outer	70	9	AN4-27A	1/4"-28 x 2 7/8"				
34	1	7100-4340	Bearing Block_Pre-Rotate Riser	71	2	AN4-30A	1/4"-28 x 3"				
35	2	7100-5250	Seat Belt Anchor Plate_Lower	72	2	AN4-31A	1/4"-28 x 3 1/8"				
36	2	7100-7440	Shoulder Harness Guide	73	2	AN4-33A	1/4"-28 x 3 3/8"				
37	1	7100-4750	PR Cable Housing End Block	74	2	AN4-34A	1/4"-28 x 3 1/2"				
				75	1	AN4-45A	1/4"-28 x 4 5/8"				

4

3

2

1