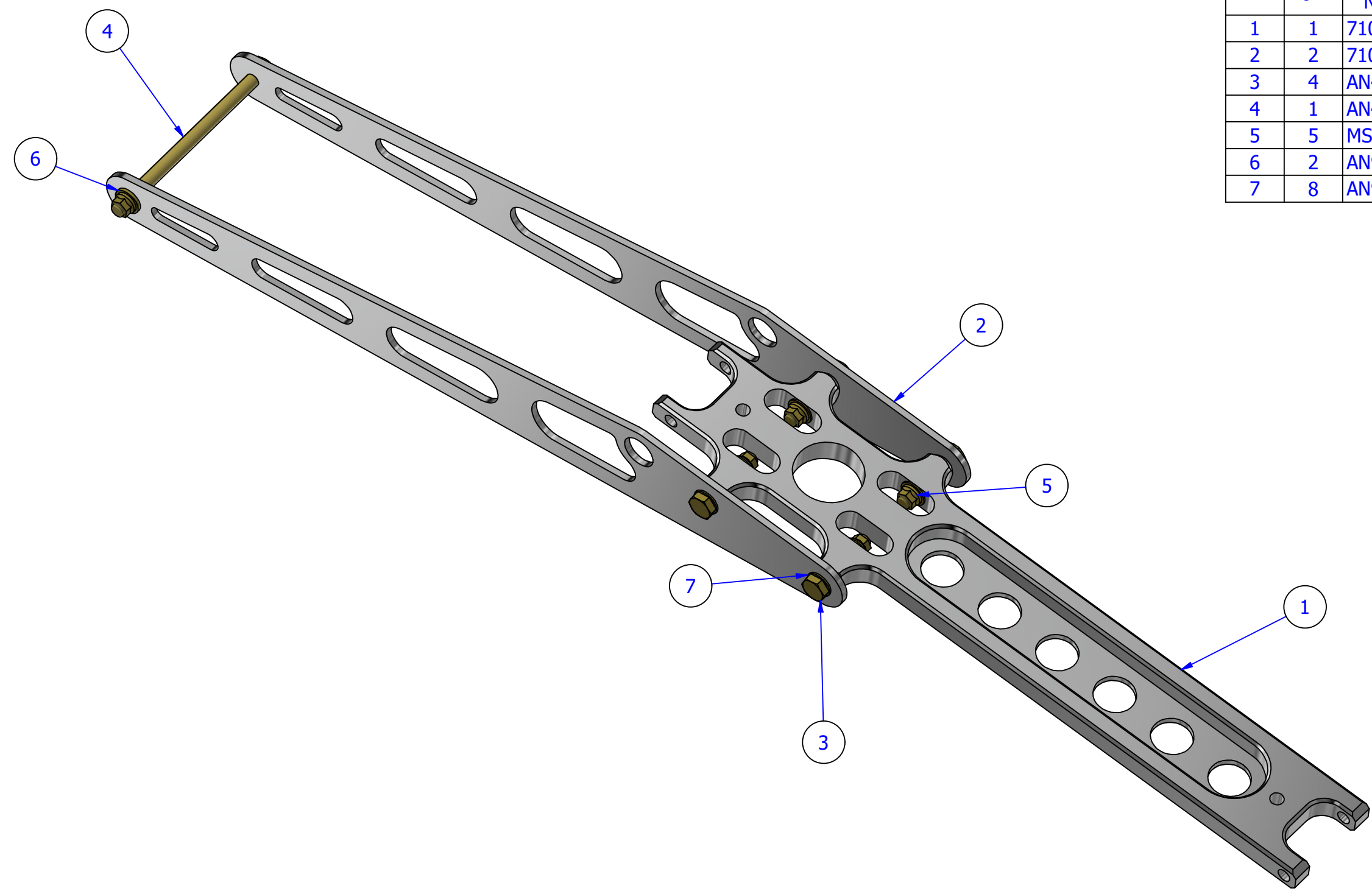


PARTS LIST			
ITEM	QTY	PART NUMBER	DESCRIPTION
1	1	7100-7430	Mast Link Leg
2	2	7100-5320	Support Link Plate_Tail
3	4	AN4-12A	1/4"-28 x 1 1/4"
4	1	AN4-37A	1/4"-28 x 3 7/8"
5	5	MS21042-4	1/4"-28 Stop Nut
6	2	AN960-416	1/4" Flat Washer x .062"
7	8	AN960-416L	1/4" Flat Washer x .031"



PART NAME:  
Folding Support Link

PART NUMBER:  
Folding Support Link Assy



31196 490th Street, Kasota, MN 56050  
507-243-3991  
sales@gyrotechinc.com www.gyrotechinc.com  
THIS DRAWING AND THE INFORMATION HEREIN IS THE EXCLUSIVE PROPERTY OF GYRO TECHNIC INC AND IS NOT TO BE REPRODUCED OR USED TO MANUFACTURE ITEMS FOR USE OR SALE BY ANY OTHER PERSON OR CONCERN WITHOUT THE WRITTEN PERMISSION OF GYRO TECHNIC INC.