

4

3

2

1

PARTS LIST

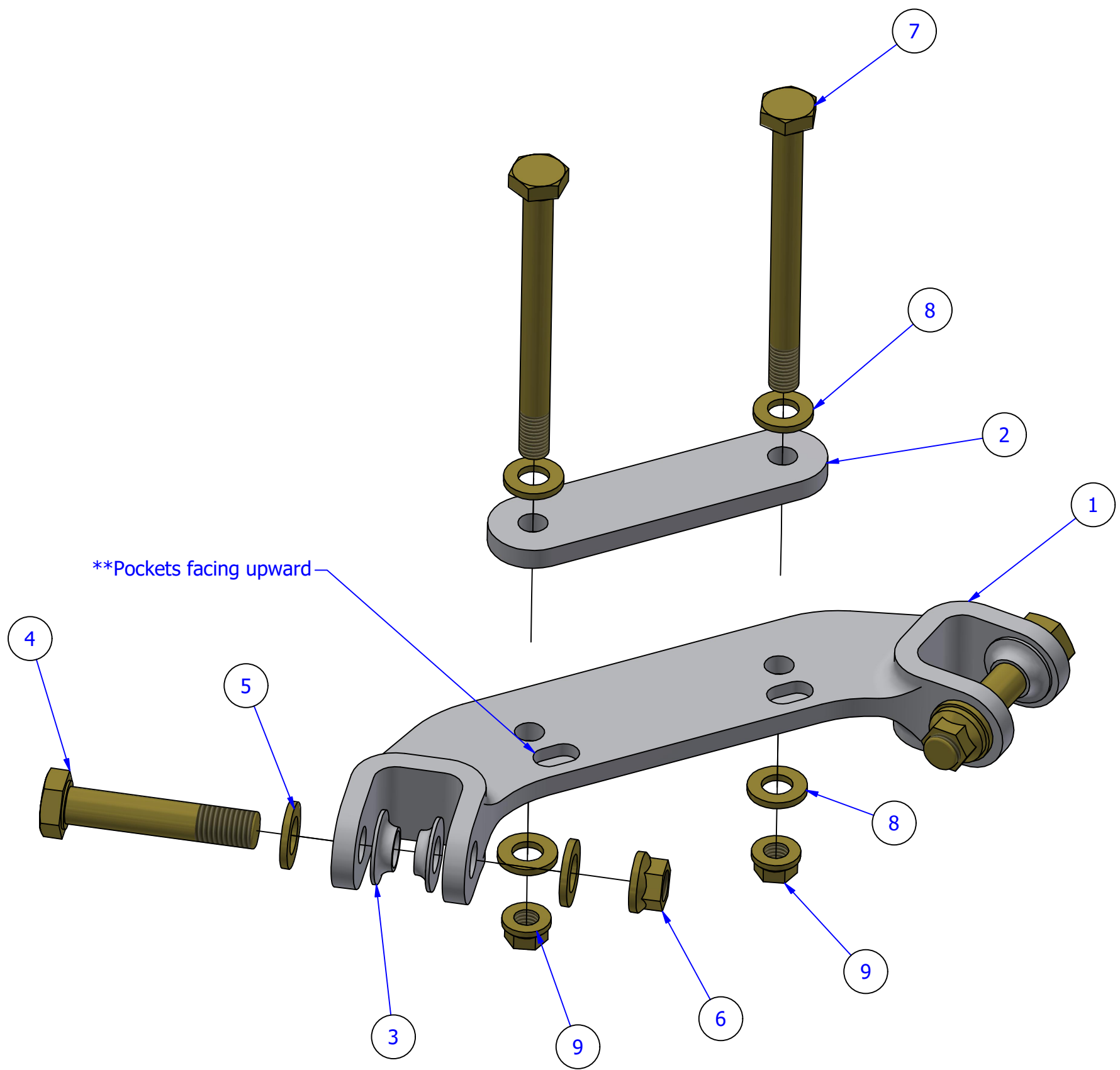
| ITEM | QTY | PART NUMBER | DESCRIPTION               |
|------|-----|-------------|---------------------------|
| 1    | 1   | 7100-7390   | Drag Link Anchor_Angled   |
| 2    | 1   | 7100-8150   | Clamp Plate_2.270         |
| 3    | 4   | 7000-0310   | 3125 x 156 Conical Spacer |
| 4    | 2   | AN5-14A     | 5/16"-24 x 1 1/2"         |
| 5    | 4   | AN960-516   | 5/16" Flat Washer x .062" |
| 6    | 2   | MS21042-5   | 5/16"-24 Stop Nut         |
| 7    | 2   | AN4-26A     | 1/4"-28 x 2 3/4"          |
| 8    | 4   | AN960-416   | 1/4" Flat Washer x .062"  |
| 9    | 2   | MS21042-4   | 1/4"-28 Stop Nut          |

B

B

A

A



\*\*Pockets facing upward

PART NAME:  
Anchor\_Drag Link

PART NUMBER:  
Drag Link Anchor Assy



**GYRO TECHNIC**  
engineering the power of flight

31196 490th Street, Kasota, MN 56050  
 507-243-3991  
 sales@gyrotech.com www.gyrotech.com

THIS DRAWING AND THE INFORMATION HEREIN IS THE EXCLUSIVE PROPERTY OF GYRO TECHNIC INC AND IS NOT TO BE REPRODUCED OR USED TO MANUFACTURE ITEMS FOR USE OR SALE BY ANY OTHER PERSON OR CONCERN WITHOUT THE WRITTEN PERMISSION OF GYRO TECHNIC INC.

4

3

2

1