

PARTS LIST			
ITEM	QTY	PART NUMBER	DESCRIPTION
1	2	7100-0150	Pulley Plate
2	4	7000-0320	Cable Pulley A
3	4	7000-0120	Pulley Stud_Conical
4	4	R4-2RS	.250 x .625 x .196 Ball Bearing
5	4	7000-0350	Cable Retainer_200
6	4	AN4-16A	1/4"-28 x 1 3/4"
7	3	AN4-25A	1/4"-28 x 2 5/8"
8	14	AN960-416	1/4" Flat Washer x .062"
9	7	MS21042-4	1/4"-28 Stop Nut

PART NAME:  
Cable Pulley\_Tail Cluster

PART NUMBER:  
Cable Pulley\_Tail Cluster



31196 490th Street, Kasota, MN 56050  
 507-243-3991  
[sales@gyrotech.com](mailto:sales@gyrotech.com)    [www.gyrotech.com](http://www.gyrotech.com)  
THIS DRAWING AND THE INFORMATION HEREIN IS THE EXCLUSIVE PROPERTY OF GYRO TECHNIC INC AND IS NOT TO BE REPRODUCED OR USED TO MANUFACTURE ITEMS FOR USE OR SALE BY ANY OTHER PERSON OR CONCERN WITHOUT THE WRITTEN PERMISSION OF GYRO TECHNIC INC.

4

3

2

1

B

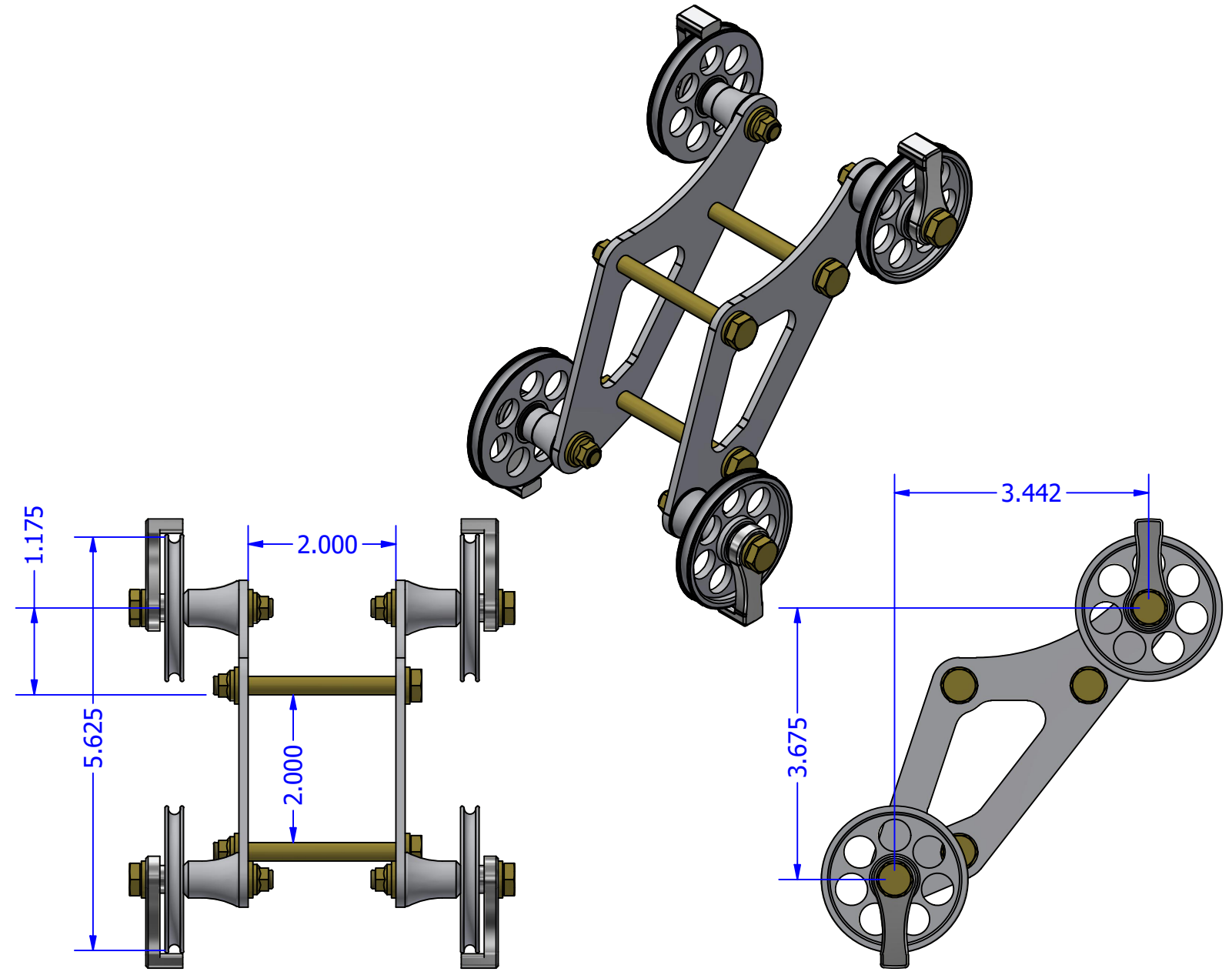
B

A

A

A

A



PART NAME:  
Cable Pulley\_Tail Cluster

PART NUMBER:  
Cable Pulley\_Tail Cluster



31196 490th Street, Kasota, MN 56050  
507-243-3991  
sales@gyrotech.com www.gyrotech.com

THIS DRAWING AND THE INFORMATION HEREIN IS THE EXCLUSIVE PROPERTY OF GYRO TECHNIC INC AND IS NOT TO BE REPRODUCED OR USED TO MANUFACTURE ITEMS FOR USE OR SALE BY ANY OTHER PERSON OR CONCERN WITHOUT THE WRITTEN PERMISSION OF GYRO TECHNIC INC.

4

3

2

1